



ILLUSTRATED PARTS LIST

SVRXL

GRASS CATCHER

Model: GC-SVRXL



This manual covers the operating instructions and illustrated parts list for:

GC-SVRXL (901YW)

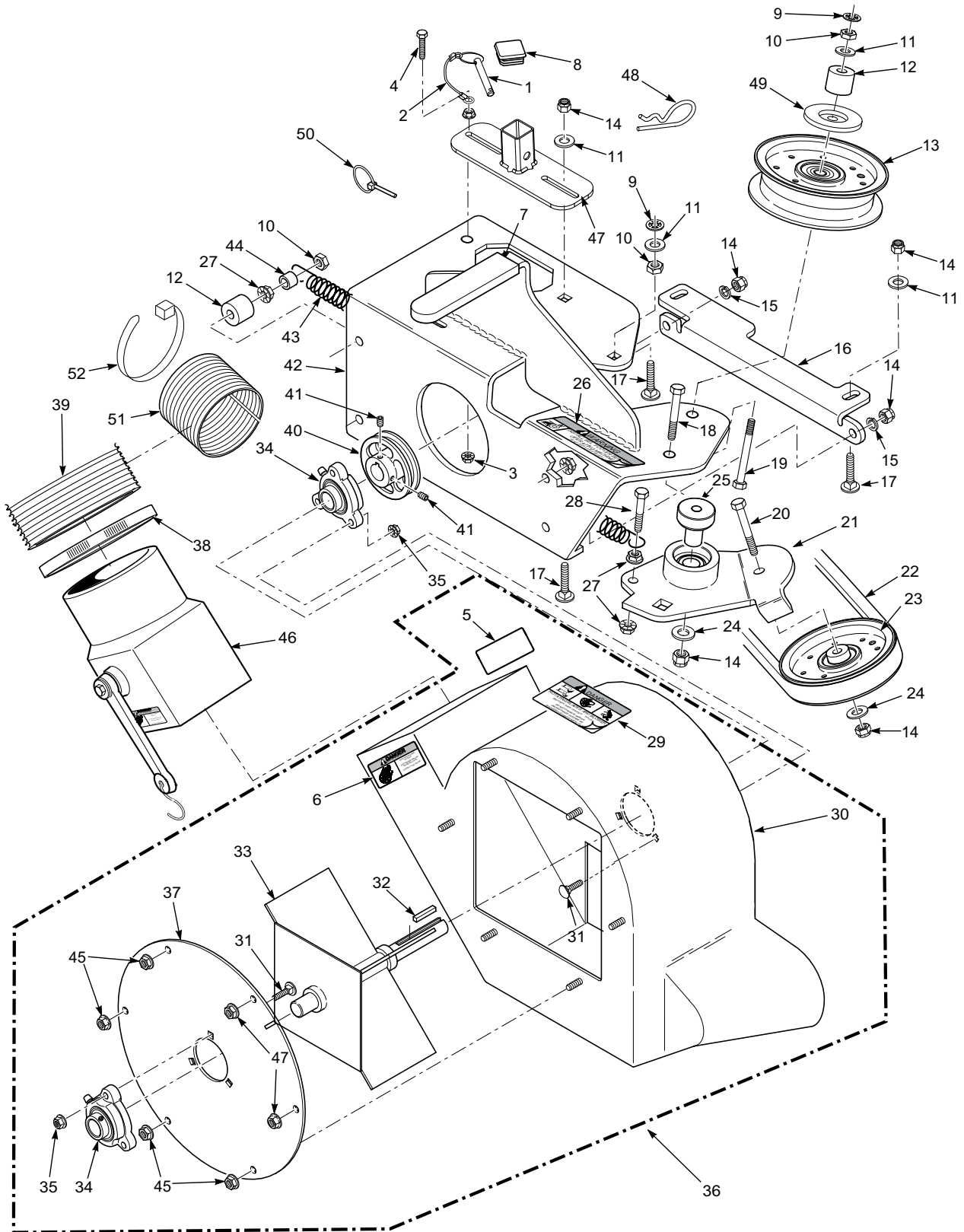
with a serial number of

Y1400001 to Y1499999

Always use the entire serial number listed on the serial number tag when referring to this product.

ILLUSTRATED PARTS LIST

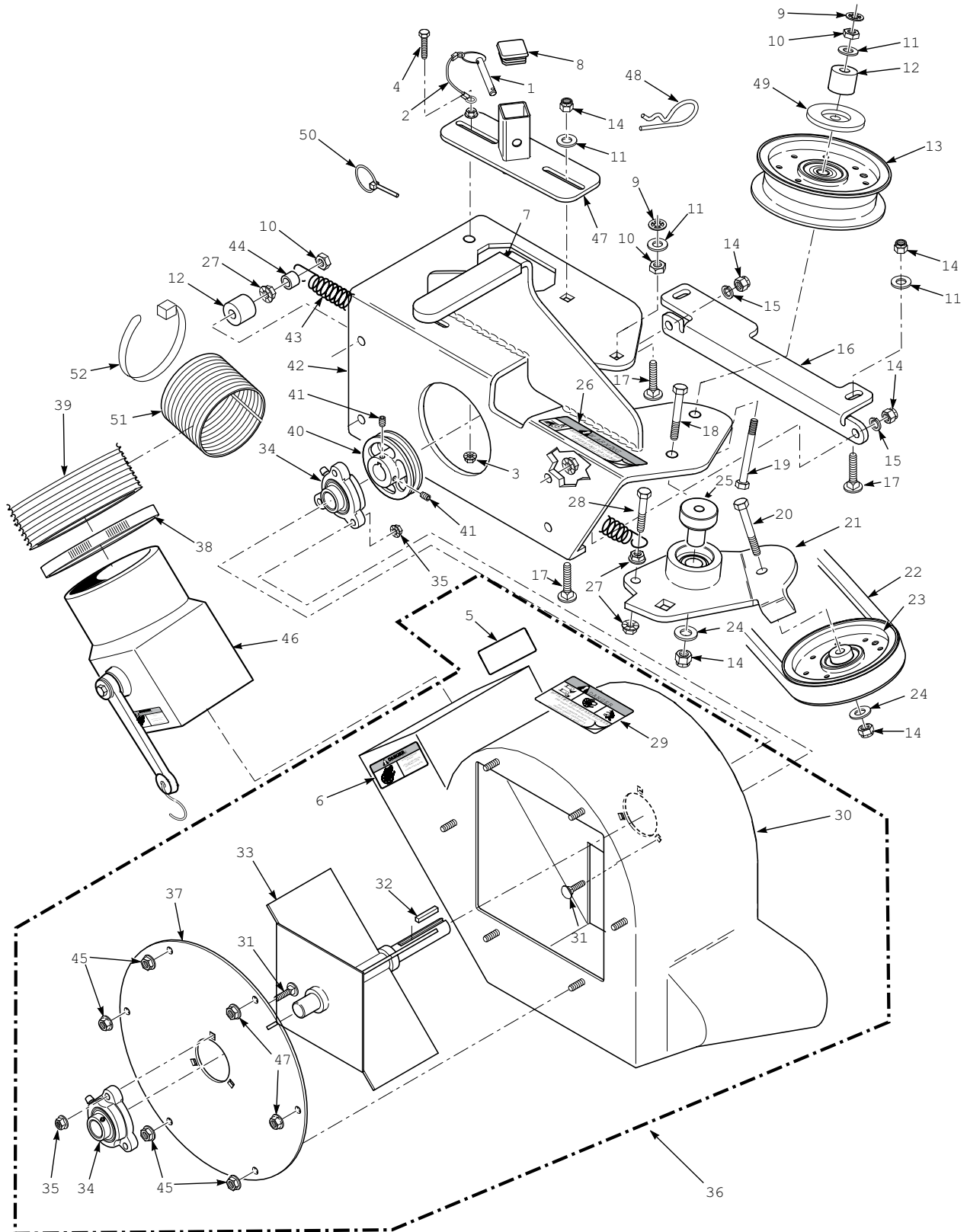
GC-SVRXL BLOWER HOUSING ASSEMBLY SVRXL-52"



GC-SVRXL BLOWER HOUSING ASSEMBLY SVRXL-52"

Ref. No.	Part No.	Description
1	04067-10	Pin, Ring 2-1/4" Long
2	481547	Lanyard, Deck Height Pin
3	04021-05	Nut, Serr. Flange 1/4-20
4	04001-21	Bolt, Hex Head 1/4-20 x 1-1/4"
5	487210	Decal, Blower
6	487211	Decal, Rotating Blower
7	481428	Grip, Blower Lever
8	483223	Cap, Square
9	04024-02	Nut, Push On 3/8 Thread
10	04021-05	Lock Nut, 3/8-16
11	04041-07	Flatwasher, 3/8-.391 x .938 x .105
12	43277	Spacer
13	483173	Pulley, Idler 3-1/2" Dia.
14	04021-09	Nut, Elastic Stop 3/8-16
15	04030-04	Lockwasher, 3/8-16
16	424361	Plate, Catcher Mounting
17	04001-20	Bolt, Carr. 3/8-16 x 1-1/2"
18	04001-54	Bolt, Hex Head 3/8-16 x 3" - 52"
19	04001-81	Bolt, Hex Head 3/8-16 x 3-1/2"
20	04001-21	Bolt, Hex Head 3/8-16 x 1-3/4"
21	451820	Idler Arm Weldment
22	483327	Belt, GC-SCZ-48V / STCII-48V
23	483189	Pulley, 3-1/2" O.D., GC-STC
24	04043-04	Washer, 3/8 Hardened
25	43576	Pivot, Idler
26	487212	Decal, Belt Cover
27	04019-04	Nut, Serr. Flange 3/8-16
28	04001-136	Bolt, Hex Head 3/8-16 x 1-1/2 Gr. 8
29	487209	Decal, Danger
30	451797	Blower Housing Weldment
31	04003-04	Bolt, Carr. 5/16-18 x 3/4" Gr. 5
32	04063-06	Key, 1/4 x 1/4 x 1-1/2"
33	451683	Fan Weldment
34	483034	Bearing Assembly
35	04019-03	Nut, Elastic Stop 5/16-18
36	494341	Blower Housing Assembly, GC-STT
37	421319	Cover, Blower Housing
38	48136-02	Clamp, 8-5/8" Max Dia.
39	462536	Hose, 8.00" Dia. x 53" Long (incl. #51, 52)
40	482298	Pulley, 4-3/4" O.D. - 1" Bore
41	04012-04	Set Screw, 5/16-18 x 3/8"
42	451800	Frame, Blower Mount
43	481522	Spring, Main Drive
44	43212	Spacer
45	04019-03	Nut, Serr. Flange 5/16-18
46	461723	Adapter w/Strap
47	451822	Receiver Weldment, Mounting Post
48	04062-04	Hair Pin Cotter, .177 x 3-1/4"
49	424367	Dust Shield
50	04066-04	Quick Pin, 5/16" Dia.
51	48135-16	Hose, 8" Dia. x 24" Split
52	48028-11	Cable Tie, .345 X 31.5 Black

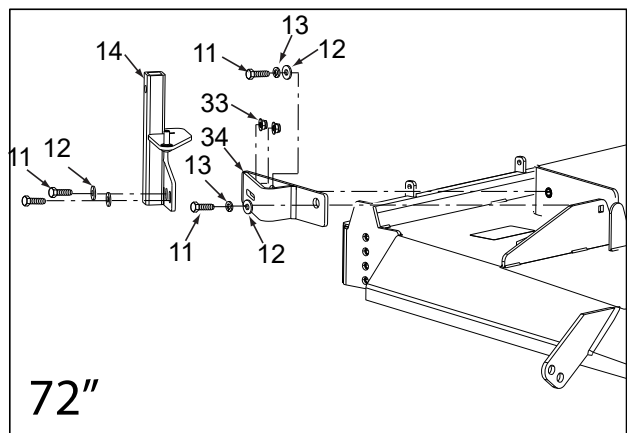
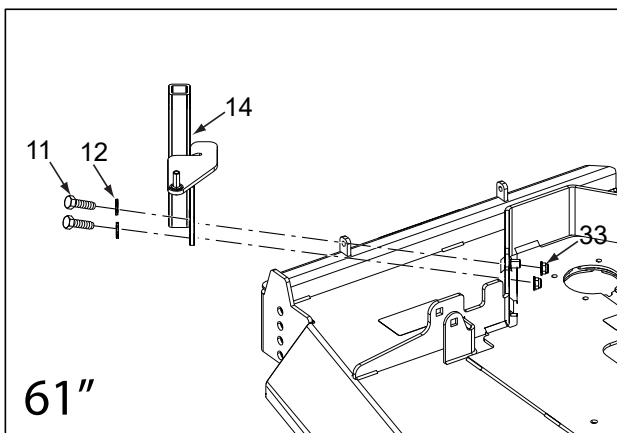
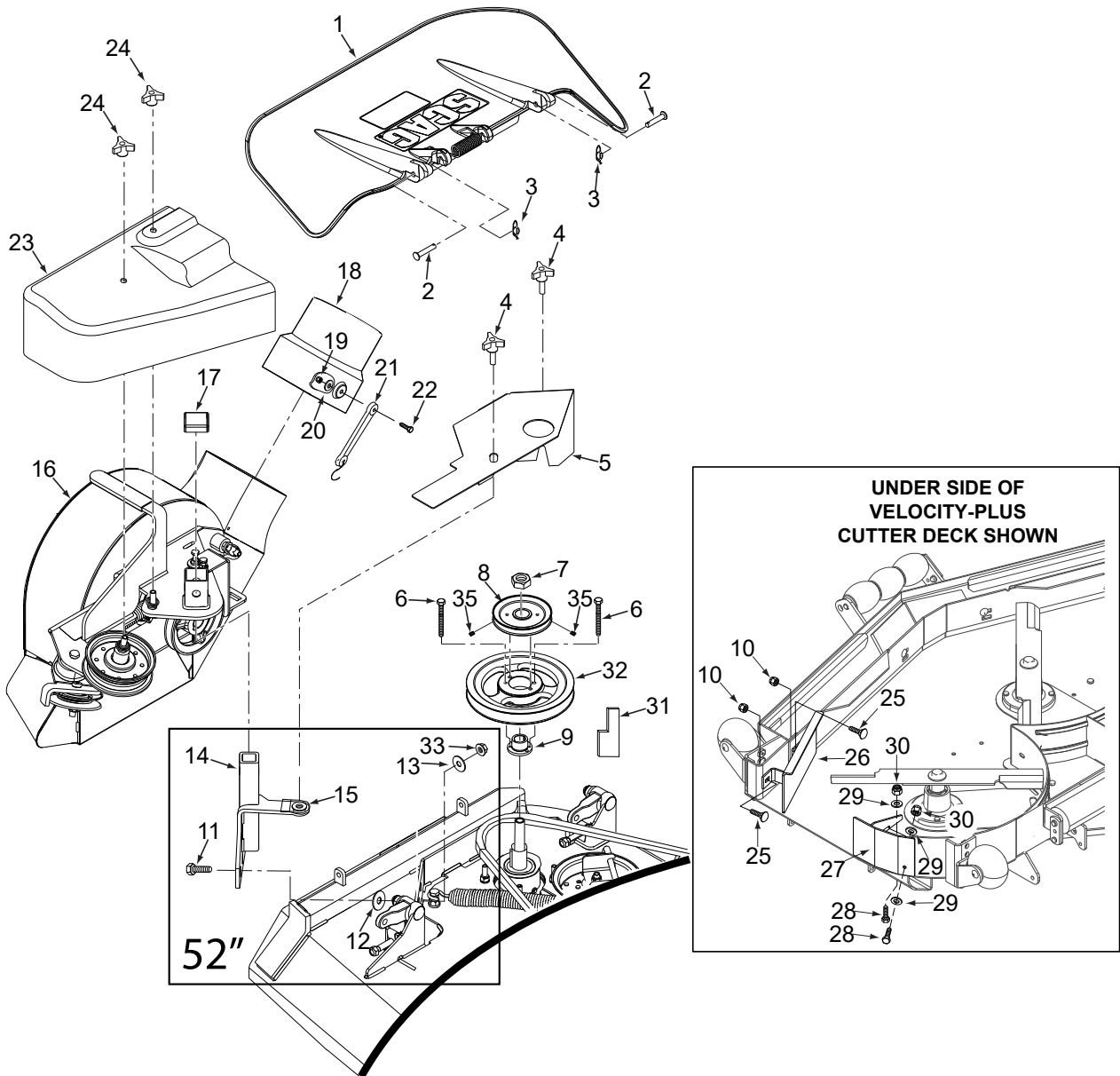
GC-SVRXL BLOWER HOUSING ASSEMBLY SVRXL-61" / SVRXL-72



GC-SVRXL BLOWER HOUSING ASSEMBLY SVRXL-61" / SVRXL-72

Ref. No.	Part No.	Description
1	04067-10	Pin, Ring 2-1/4" Long
2	481547	Lanyard, Deck Height Pin
3	04021-05	Nut, Serr. Flange 3/8-16
4	04001-21	Bolt, Hex Head 3/8-16 UNC X 1.75
5	487210	Decal, Blower
6	487211	Decal, Rotating Blower
7	481428	Grip, Blower Lever
8	483223	Cap, Square
9	04024-02	Nut, Push On 3/8 Thread
10	04021-05	Lock Nut, 3/8-16
11	04041-07	Flatwasher, 3/8-.391 x .938 x .105
12	43277	Spacer
13	483209	Pulley, Idler 4" Dia.
14	04021-09	Nut, Elastic Stop 3/8-16
15	04030-04	Lockwasher, 3/8-16
16	424361	Plate, Catcher Mounting
17	04003-05	Bolt, Carr. 3/8-16 x 1-1/2"
18	04001-46	Bolt, Hex Head 3/8-16 UNC X 2.25
19	04001-81	Bolt, Hex Head 3/8-16 x 3-1/2"
20	04001-21	Bolt, Hex Head 3/8-16 x 1-3/4"
21	491069	Idler Arm Assembly
22	488164	Belt, GC-SVRXL 72
	483182	Belt, GC-SVRXL 61
23	483189	Pulley, 3-1/2" O.D., GC-STC
24	04043-04	Washer, 3/8 Hardened
25	43575	Pivot, Idler
26	487212	Decal, Belt Cover
27	04019-04	Nut, Serr. Flange 3/8-16
28	04001-136	Bolt, Hex Head 3/8-16 x 1-1/2 Gr. 8
29	487209	Decal, Danger
30	451797	Blower Housing Weldment
31	04003-12	Bolt, Carr. 5/16-18 x 3/4" Gr. 5
32	04063-06	Key, 1/4 x 1/4 x 1-1/2"
33	451683	Fan Weldment
34	483036	Bearing Assembly
35	04021-10	Nut, Elastic Stop 5/16-18
36	491063	Blower Housing Assembly, GC-61V
37	421319	Cover, Blower Housing
38	48136-02	Clamp, 8-5/8" Max Dia.
39	462536	Hose, 8.00" Dia. x 53" Long (incl. #51, 52)
40	482298	Pulley, 4-3/4" O.D. - 1" Bore
41	04012-04	Set Screw, 5/16-18 x 3/8"
42	429965	Frame, Blower Mount
43	481522	Spring, Main Drive
44	43212	Spacer
45	04019-03	Nut, Serr. Flange 5/16-18
46	461723	Adapter w/Strap
47	451821	Receiver Weldment, Mounting Post
48	04062-04	Hair Pin Cotter, .177 x 3-1/4"
49	424367	Dust Shield
50	04066-04	Quick Pin, 5/16" Dia.
51	48135-60	Hose, 8" Dia. x 24" Split
52	48028-11	Cable Tie, .345 X 31.5 Black

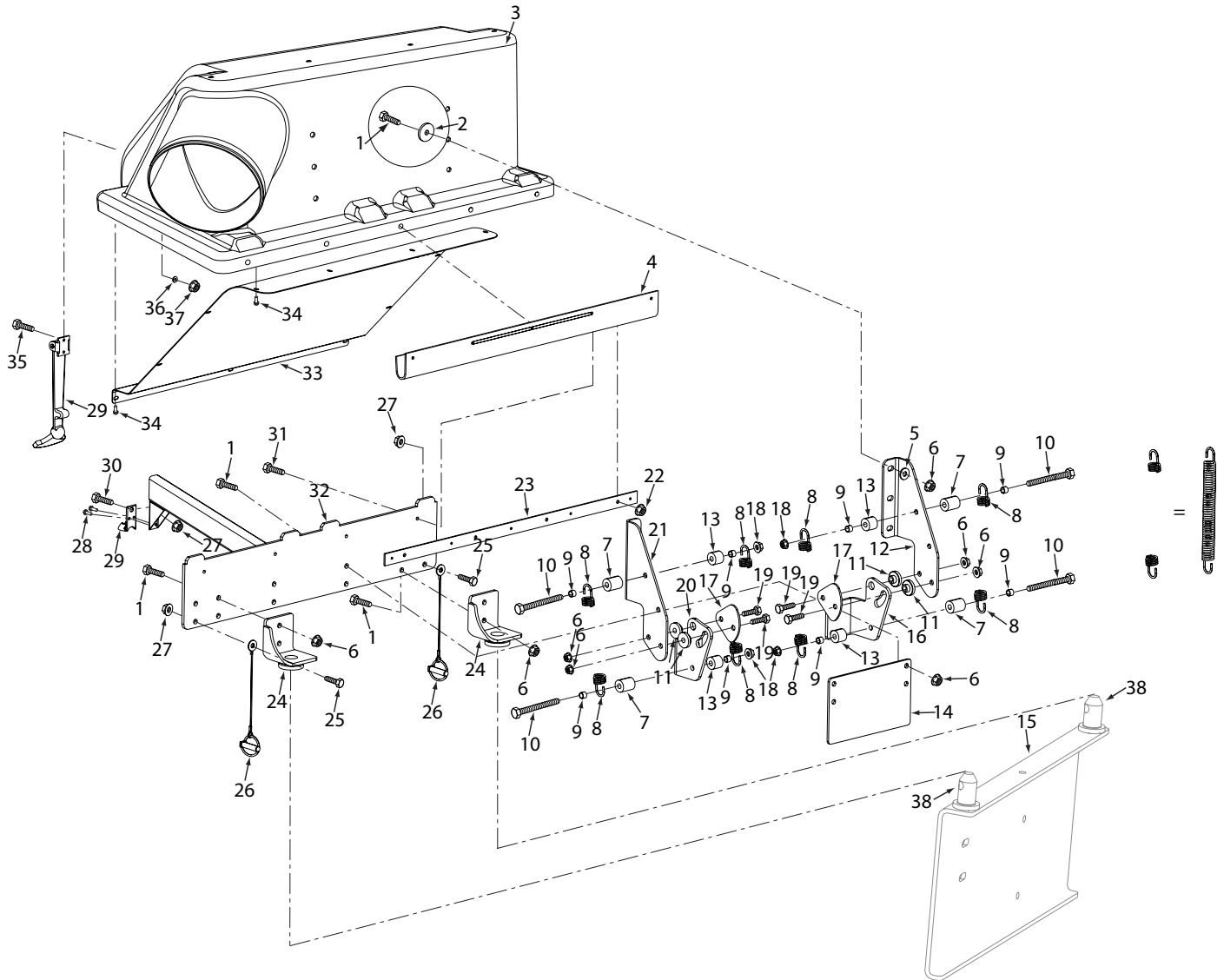
GC-SVRXL BLOWER MOUNTING COMPONENTS



GC-SVRXL BLOWER MOUNTING COMPONENTS

Ref. No.	Part No.	Description
1	461845	Discharge Chute Assy. - 52V
	461846	Discharge Chute Assy. - 61V
	462132	Discharge Chute Assy. - 72V
2	04064-15	Clevis Pin, 5/16 x 1½"
3	04069-03	Pin, Rue Cotter, 5/16 DIA
4	481625-01	Knob With Stud, 3/8-16 x 1¼"
5	429949	Belt Cover, 52GC-SVRXL
	429965	Belt Cover, 61GC-SVRXL
	429931	Belt Cover, 72GC-SVRXL
6	04001-225	Bolt, 1/4-20 x 2½" Full Thread
7	04020-09	Hex Nut 5/8-11
8	482587	Pulley, 4.00 DIA 1.125 Bore
9	483189	Pulley, 3.5 DIA V-Idler
10	04021-09	Nut, Lock, Elastic Stop, 3/8-16
11	04001-32	Bolt, 3/8-16 x 1¼"
12	04041-07	Washer, Flat, 3/8, .391 x .938 x .105
13	04030-04	Washer, Lock, 3/8 Spring
14	463627	Mounting Post Assembly, Blower - 52GC
	461894	Mounting Post Assembly, Blower - 61GC
15	04024-02	Nut, Push-On 3/8"
16	494341	Blower Assembly, 52GC-SVRXL
	491063	Blower Assembly, 61 / 72GC-SVRXL
17	483223	Cap, Square Vinyl
18	461723	Adapter w/strap Assembly (INCL.19,20,21,22)
	483032	Adapter, Blower - GC
19	04001-59	Washer, Flat, 1/4, .312 x .750 x .065
20	04040-14	Washer, Flat, 1/4, .312 x .750 x .065
21	48137-04	Nut, Lock, Elastic Stop, 1/4-20
22	04001-59	Washer, Flat, 1/4-20 UNC X 1.25
23	487942	Belt Cover, 52GC
	486350	Belt Cover, 61GC / 72GC
24	04029-04	Wingnut, 3/8 Plastic - Small
25	04003-23	Bolt, Carriage, 3/8-16 x 1"
26	453056	Baffle Weldment, GC-48/52V Blower
	453057	Baffle Weldment, GC-61V Blower
27	424211	Turbo Baffle, Catcher - 52V
	424212	Turbo Baffle, Catcher - 61V
	461894	Turbo Baffle, Catcher - 72V
28	04001-09	Bolt, 5/16-18 x 1"
29	04040-15	Washer, Flat, 5/16, .375 x .875 x .083
30	04021-10	Nut, Lock, Elastic Stop, 5/16-18
31	429967	Pulley Height Tool
32	482587	Pulley, 4.00" Dia. - 52V
	482377	Pulley, 5.45" Dia - 61V
	482830	Pulley, 6.25" Dia - 72V
33	04117-02	Nut, Lock, Elastic Stop With Flange, 3/8-16
34	453549	Mounting Post Attachment, 72V
35	04012-04	Setscrew, 5/16-18 x 3/8"
	429966	Link, Decklift - 52V

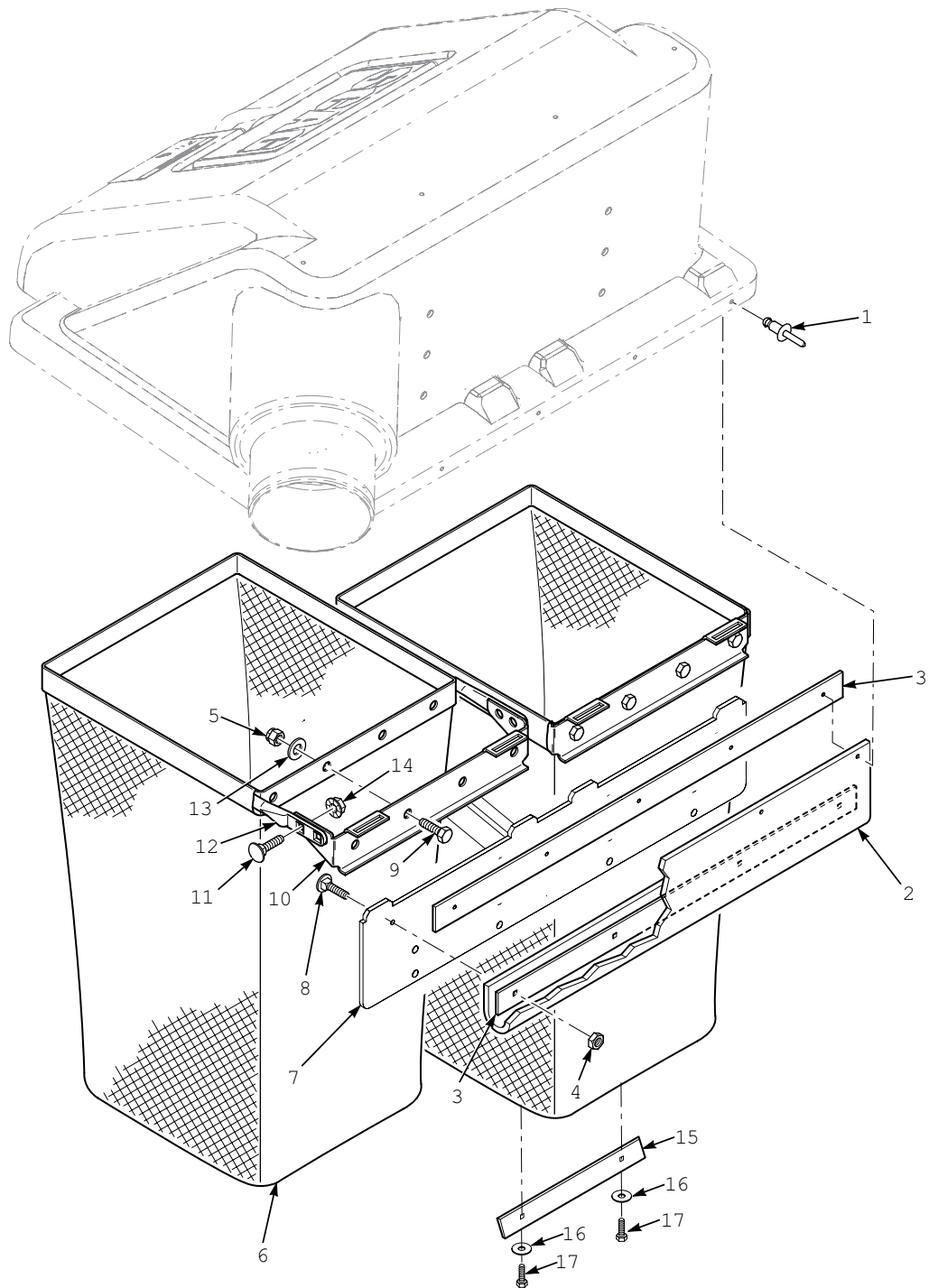
GC-SVRXL HOOD COMPONENTS



GC-SVRXL HOOD COMPONENTS

Ref. No.	Part No.	Description
1	04001-32	Bolt, 3/8-16 x 1¼"
2	04041-11	Washer, Flat 3/8, .406 x 1.5 x .1793
3	462782	Hood Assembly, Catcher With Decal (INCL. 485465, 487110, 4,23,33,34,36)
4	483589	Hood, Seal
5	04041-07	Washer, Flat, 3/8, .391 x .938 x .1046
6	04021-09	Nut, Lock, Elastic Stop, 3/8-16
7	43886	Spacer, GC Hitch
8	482304	Spring, Hood Hinge
9	43212	Sleeve, Hydro Linkage
10	04001-30	Bolt, 3/8-16 x 4"
11	43546	Bushing, Hopper Pivot
12	425830	Hinge, Upper-LH
13	43886	Spacer, J Pull Rod
14	427840	Plate, Support
15	427790	Bag Support Plate
16	425875	Hinge, Lower-LH
17	425832	Guard, GC Hinge
18	04021-05	Nut, Lock, Center Lock, 3/8-16
19	04001-20	Bolt, 3/8-16 x 1½"
20	425876	Hinge, Lower-RH
21	425831	Hinge, Upper-RH
22	04021-02	Nut, Lock, Center Lock, 1/4-20
23	424753	Retainer, Seal
24	453016	Receiver, Weldment
25	04001-09	Bolt, 5/16-18 x 1"
26	483596	Quick Pin Assembly, With Lanyard
27	04021-10	Nut, Lock, Elastic Stop, 5/16-18
28	04090-03	Pop Rivet, 3/16 x .402
29	482409	Draw Latch (Hook and Strap)
30	04001-08	Bolt, 5/16-18 x 3/4"
31	04001-01	Bolt, 1/4-20 x 3/4"
32	452675	Frame Weldment, Bag Support
33	424731	Screen, GC Hood
34	04090-02	Pop Rivet, 3/16 x .652
35	04010-25	Machine Screws, #10-32 x 3/4"
36	04041-19	Washer, Flat, 3/16, .196 x .469 x .0478
37	04021-01	Nut, Lock, Elastic Stop, #10-32
38	43884	Pin, GC Locator
39	04030-04	Washer, Lock, 3/8 Spring

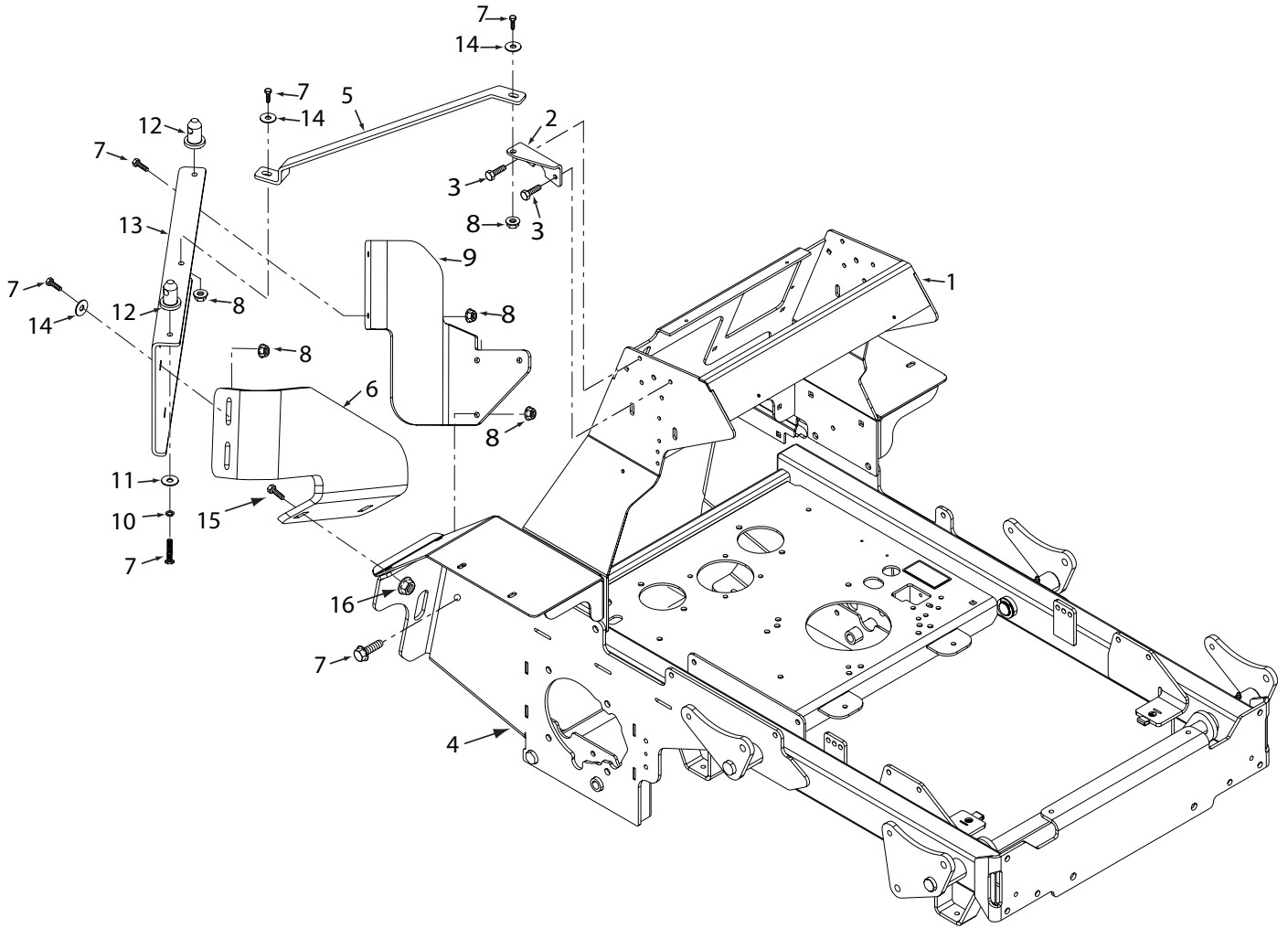
GC-SVRXL BAG SUPPORT COMPONENTS



GC-SVRXL BAG SUPPORT COMPONENTS

Ref. No.	Part No.	Description
1	04090-02	Pop Rivet, 3/16 x .652
2	483589	Seal, GC Hood
3	424753	Retainer, Seal
4	04021-02	Nut, Center Lock 1/4-20
5	04021-10	Nut, Elastic Stop 5/16-18
6	462965	Bag Assembly
7	452675	Frame Weldment, Bag Support
8	04001-01	Bolt, 1/4-20 x 3/4"
9	04001-08	Bolt, 5/16-18 x 3/4"
10	423198	Mount, Bag Frame Tube
11	04003-12	Bolt, Carriage 5/16-18 x 3/4"
12	423197	Tube, Bag Support
13	04040-15	Flatwasher, 5/16-.375 x .875 x .083
14	04019-03	Nut, Serrated Flange 5/16-18
15	427476	Handle
16	04041-11	Washer, Flat, 3/8, .406 x 1.5 x .1793
17	04001-10	Bolt, 5/16-18 x 1 1/4"

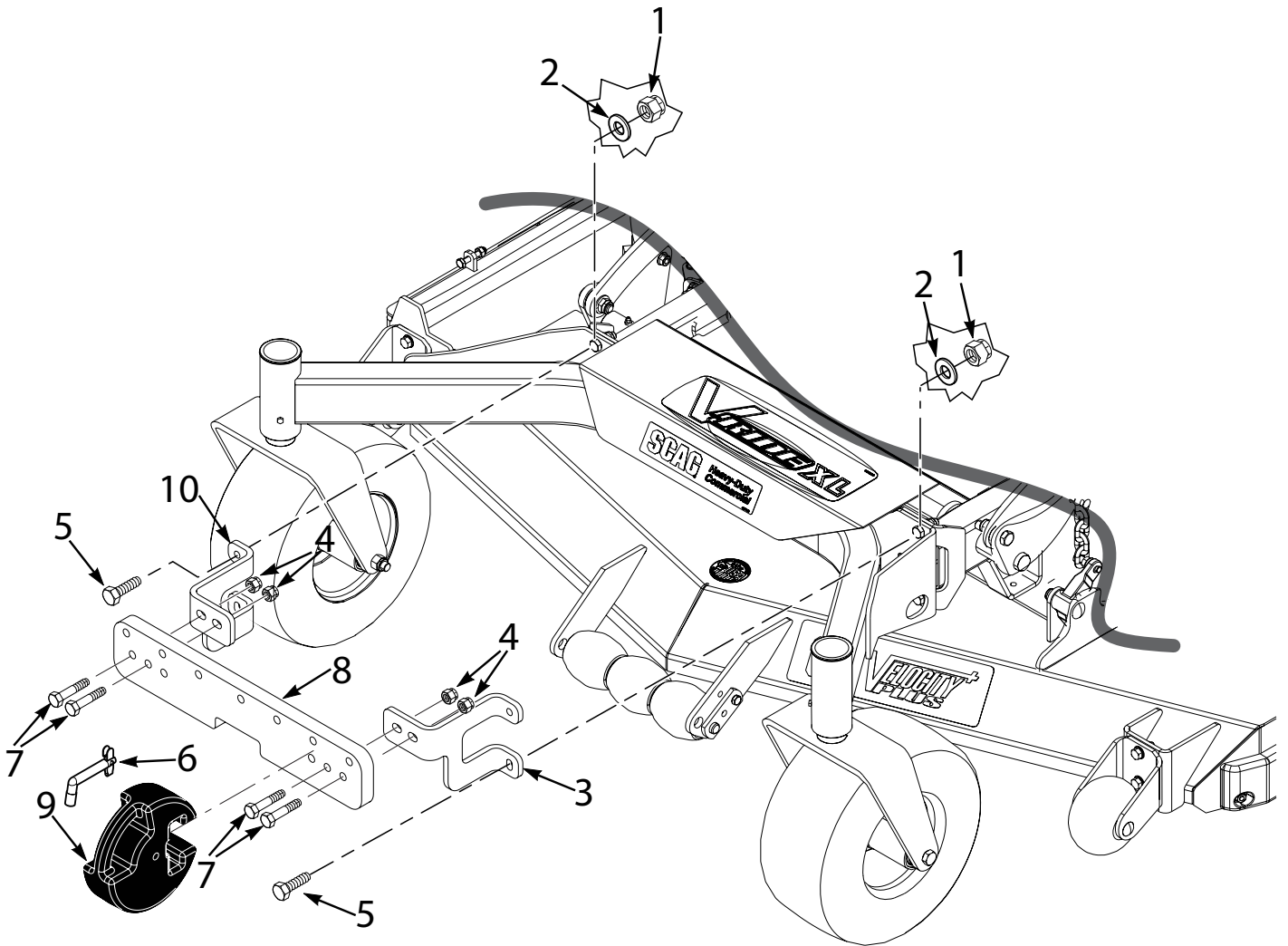
GC-SVRXL SUPPORT FRAME COMPONENTS



GC-SVRXL SUPPORT FRAME COMPONENTS

Ref. No.	Part No.	Description
1	453252	Handlebar WLMT SVRXL
2	427792	Mounting Bracket, Upper
3	04001-09	Bolt, 5/16-18 x 1"
4	463367	Mainframe Weldment, SVRXL
5	427791	Upper Support Bracket
6	429921	GC Mounting Bracket, RH
7	04001-32	Bolt, 3/8-16 x 1¼"
8	04117-02	Nut, Lock, Elastic Stop With Flange, 3/8-16
9	429907	GC Mounting Bracket, LH
10	04030-04	Washer, Lock, 3/8 Spring
11	04041-11	Washer, Flat, 3/8, .406 x 1.5 x .1793
12	43884	Pin, GC-SCZ Locator
13	427790	Bag Support, Plate
14	04041-07	Washer, Flat, 3/8, .391 x .938 x .1046
15	04003-23	Carriage Bolt, 3/8" - 16 x 1.00"
16	04019-04	Nut, Serrated Flange, 7/16" - 14

GC-SVRXL FRONT WEIGHT COMPONENTS - 52V



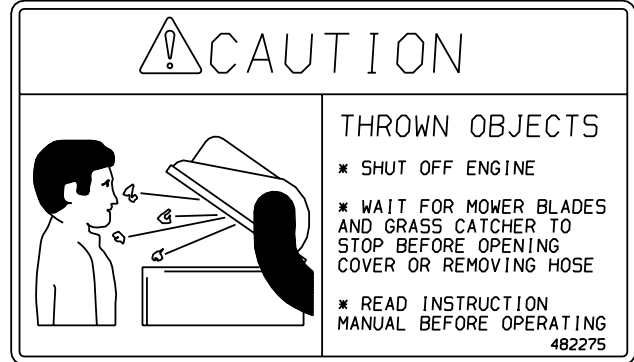
GC-SVRXL FRONT WEIGHT COMPONENTS - 52V

Ref. No.	Part No.	Description
1	04021-11	Nut, Lock, elastic Stop, 7/16-14
2	04030-05	Washer, Lock, 7/16 Spring
3	429902	Mounting Bracket, Weight Bar - LH
4	04117-04	Nut, Lock, elastic Stop With Flange, 1/2-13
5	04001-117	Bolt, 7/16-14 x 1 ³ / ₄ "
6	485172	Pin, Weight Retention
7	04001-153	Bolt, 1/2-13 x 2 ¹ / ₄ "
8	426093	Weight Bar
9	484758	GC Weight
10	429903	Mounting Bracket, Weight Bar - RH

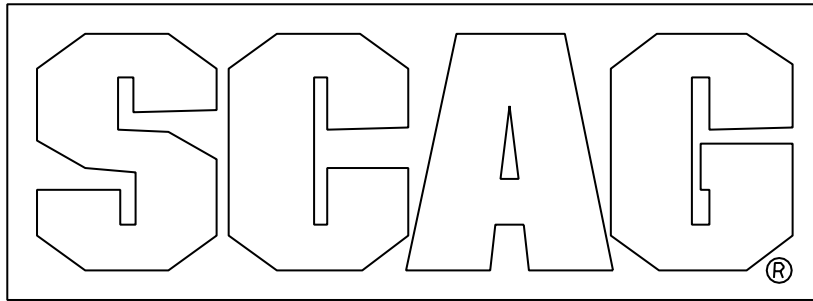
GC-SVRXL DECALS



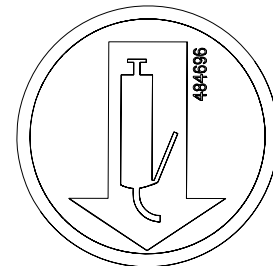
487212



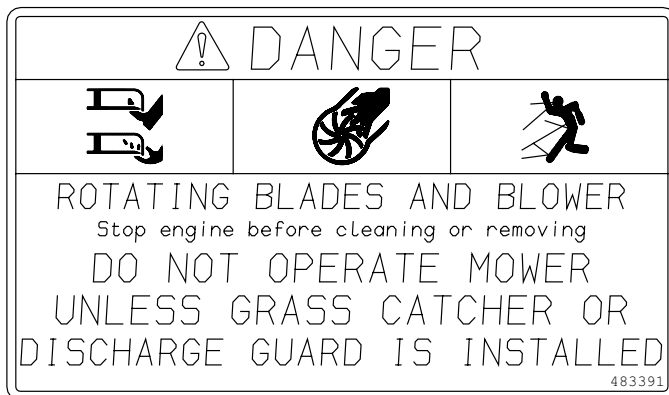
482275



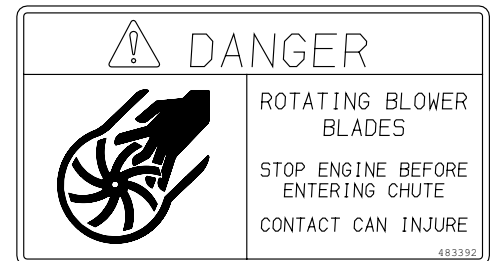
482733



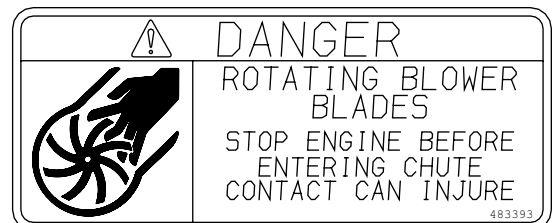
487213



487209



487210



487211