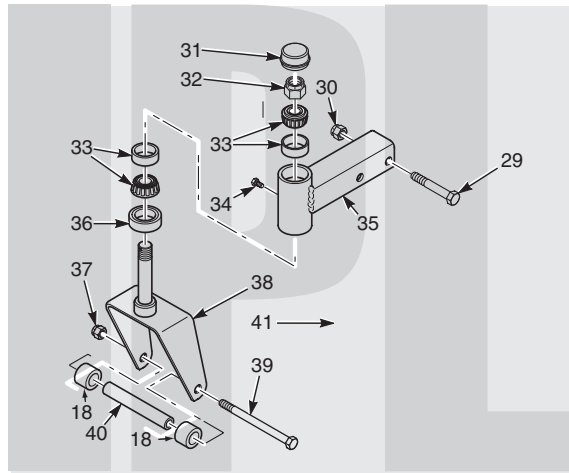


SCAG® POWER EQUIPMENT



MODEL STHM

ILLUSTRATED PARTS LIST

THIS MANUAL CONTAINS THE ILLUSTRATED PARTS LIST FOR MODELS:

STHM-23CV	with a serial number of D6300001 to D6399999
SM-61V	with a serial number of D8900001 to D8999999
SM-72A	with a serial number of D9000001 to D9099999

SCAG[®]

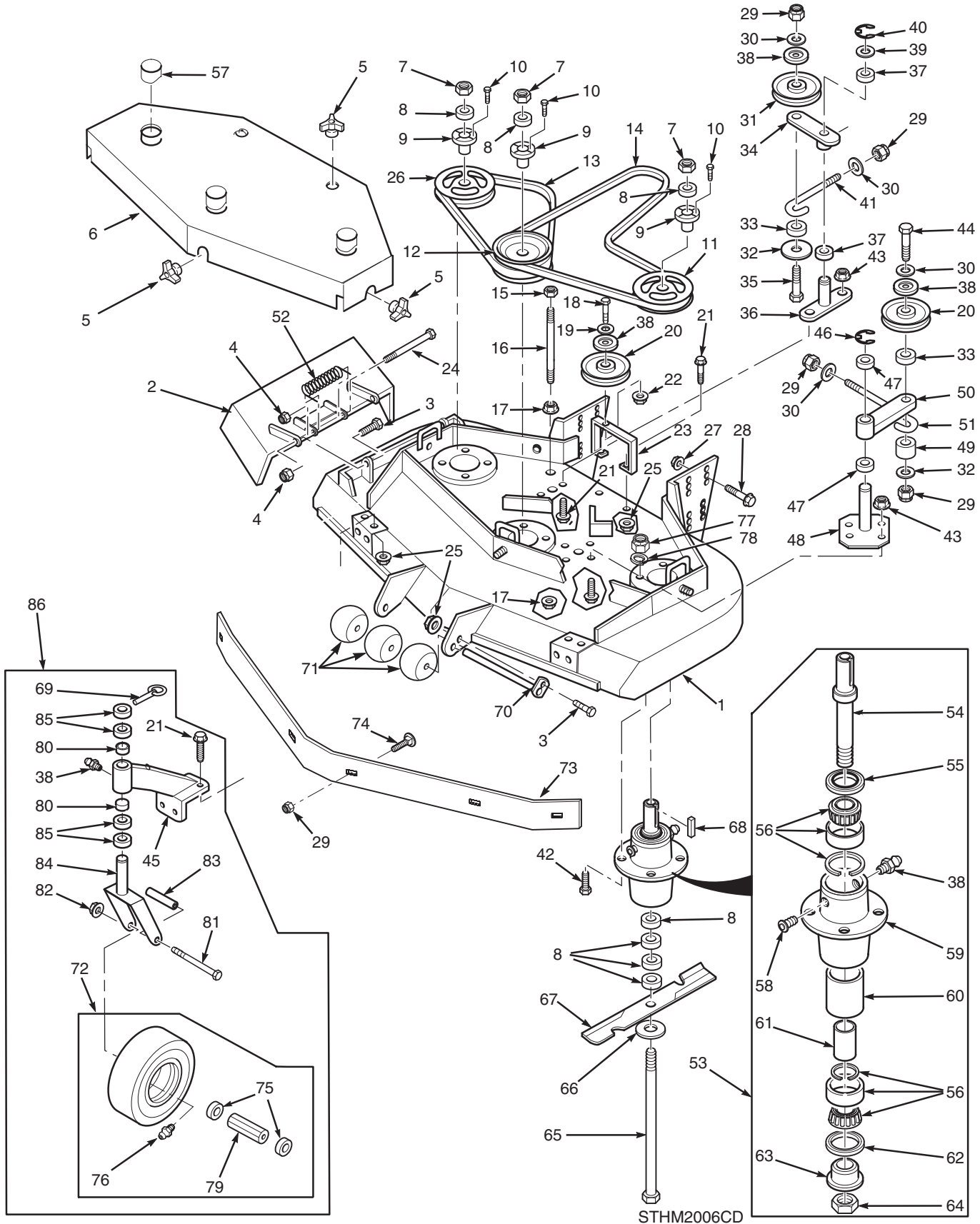
POWER EQUIPMENT

TABLE OF CONTENTS

MODEL STHM

SUBJECT	PAGE
Illustrated Parts List	
SM61V, 72A Cutter Deck.....	2-3
Engine Deck	4-5
Upper Hydraulics	6-7
Lower Hydraulics.....	8-9
Control Linkage.....	10-11
Instrument Panel and Electrical Components	12-13
Rider Frame Assembly	14-15
Brake Linkage.....	16-17
Wiring Harness	18
Winch Lift System	19
Replacement Decals	20

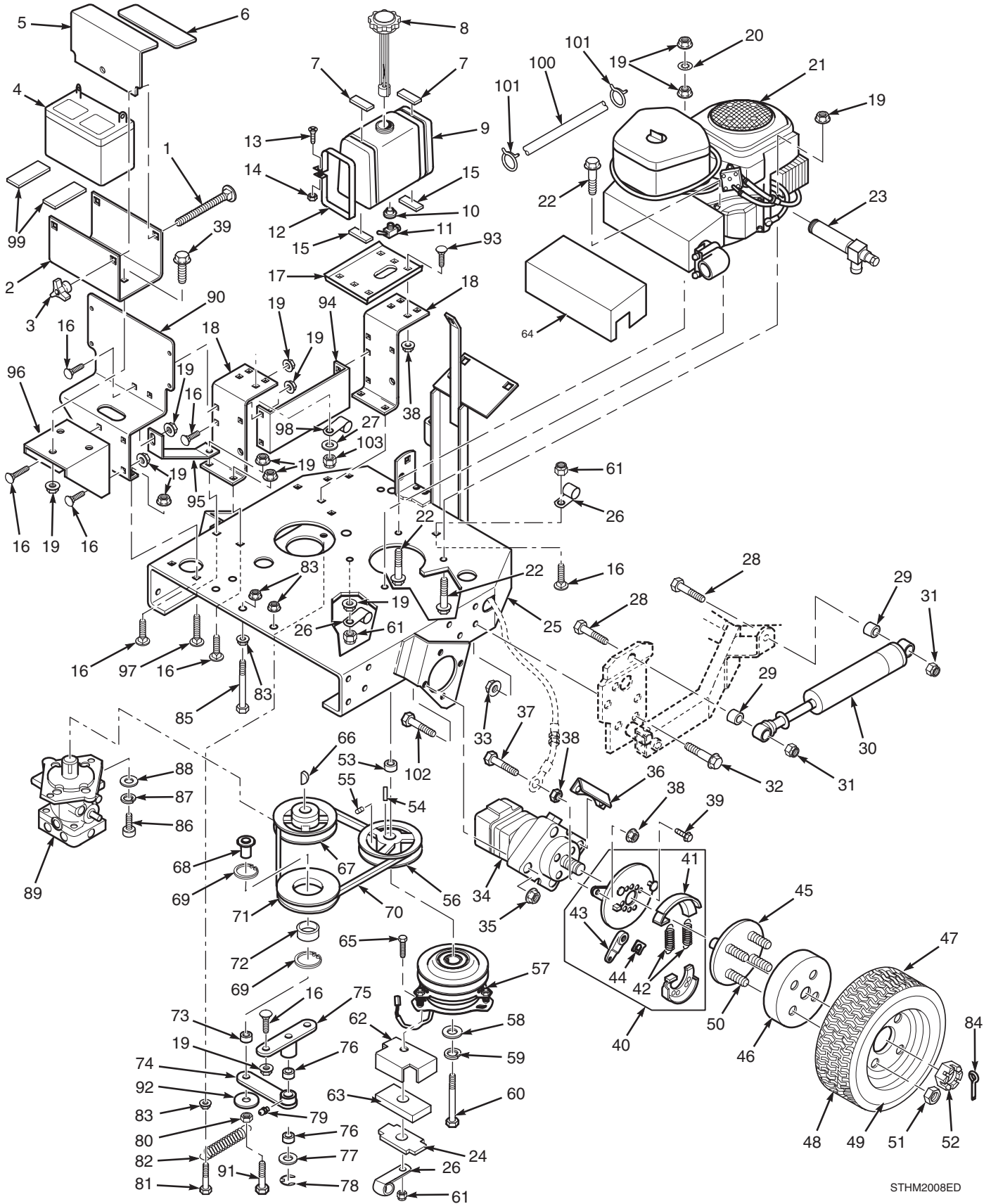
SM-61V & SM-72A CUTTER DECK



SM-61V & SM-72A CUTTER DECK

Ref. Part No. No.	Description	61	72	Ref. Part No. No.	Description	61	72	
1	461861	Cutter Deck, Velocity + (Incl. decals)	x		43	04019-03 Nut, 5/16-18 Ser. Flange	x	x
1	461864	Cutter Deck, Advantage (Incl. decals)	x	x	44	04001-77 Bolt, 3/8-16 x 3-1/2" Hex Head	x	x
2	461846	Discharge Chute, Velocity Plus	x		45	46082 Support Assembly	x	x
	461296	Discharge Chute, Advantage	x	x	46	04050-05 Retaining Ring, 1-1/8 EXT 'E'	x	x
3	04001-09	Bolt, 5/16-18 x 1" Hex Head	x	x	47	48224 Bearing	x	x
4	04021-10	Nut, 5/16-18 Elastic Stop	x	x	48	45329 Idler Pivot Support	x	x
5	04029-03	Wing Nut, 3/8-16	x	x	49	43277 Spacer	x	x
6	461583	Belt Cover (Incl. Decals)	x		50	461841 Idler Arm (Incl. 47)	x	x
6	46848	Belt Cover (Incl. Decals)	x	x	51	44078 J-Rod, Drive Idler	x	x
7	04020-09	Nut, 5/8-11 Hex Head	x	x	52	482245 Spring, Chute Return	x	x
8	43592	Spacer, Cutter Blade	x	x	53	461663 Spindle Assembly	x	x
9	48926	Tapered Hub, 1.125 Bore	x	x	54	43589 Shaft, Cutter Spindle	x	x
10	04001-172	Bolt, 1/4-20 x 1" Hex Head Grade 8	x	x	55	481024 Seal, 2.00 O.D. x 1.50 Bore	x	x
11	482745	Pulley, 6.35 O.D.	x		56	481022 Bearing Assembly	x	x
	482747	Pulley, 6.95 O.D.	x	x	57	48098 Shield, Spindle	x	x
12	48940	Pulley, Double Groove, 6.35/5.75 O.D.	x		58	48677 Relief Fitting, Cutter Spindle	x	x
	48966	Pulley, Double Groove, 6.95/5.75 O.D.	x	x	59	43664 Spindle Housing	x	x
13	48265	Belt, R.H. Blade Drive	x		60	43312 Spacer, Outside	x	x
	48295	Belt, R.H. Blade Drive	x	x	61	43296 Spacer, Inside	x	x
14	48912	Belt, Deck Drive	x		62	481025 Seal, 2.00 O.D. x 1-5/8 Bore	x	x
	481001	Belt, Deck Drive	x	x	63	43297 Spindle Bushing Bottom	x	x
15	04021-05	Lock Nut, 3/8-16 Hex Head	x	x	64	481035 Nut, 1-1/16-18 UNEF-2B	x	x
16	04004-14	Stud, 3/8-16 x 6-3/4"	x	x	65	04001-41 Bolt, 5/8-11 x 9-1/2"	x	x
17	04019-04	Nut, 3/8-16 Serr. Flange	x	x	66	04040-10 Flatwasher, 5/8 (.688 x 1.75 x .134)	x	x
18	04001-46	Bolt, 3/8-16 x 2-1/4"	x	x	67	482879 Cutter Blade, 21" Standard	x	
19	04041-07	Flatwasher, 3/8 (.391 x .938 x .105)	x	x		482880 Cutter Blade, 24" Standard	x	x
20	483215	Pulley, Idler	x	x	68	04063-08 Key, 1/4 x 1/4 x 2"	x	x
21	04017-16	Capscrew, 5/16-18 x 3/4 Ser. Flg. HH	x	x	69	04066-01 Quick Pin	x	x
22	04021-09	Nut, 3/8-16 Elastic Stop	x	x	70	45944 Shaft, Roller	x	x
23	421355	Idler Pulley Support	x	x	71	482295 Guide, Roller	x	x
24	04001-108	Bolt, Hex Head 5/16-18 x 4-1/4"	x	x	72	9275 Wheel Assy., Caster	x	x
25	04019-03	Nut, 5/16-18 Ser. Flg. Hex Hd.	x	x	73	424164 Baffle, Custom-Cut 61V	x	
26	482744	Pulley, 5.75	x	x		423795 Baffle, Custom-Cut 72A	x	x
27	04019-06	Nut, 1/2-13 Ser. Flg. Hex Hd.	x	x	74	04003-23 Bolt, Carriage 3/8-16 x 1"	x	x
28	04017-37	Capscrew, 1/2-13 x 1-1/4 Ser. Flg.	x	x	75	481770 Retainer, Caster Wheel	x	x
29	04021-09	Nut, 3/8-16 Elastic Stop	x	x	76	48114-03 Grease Fitting, 45 Deg. 1/4-28	x	x
30	04041-07	Flatwasher, 3/8 (.391 x .938 x .105)	x	x	77	04021-22 Nut, Elastic Stop 5/16-18 Grade 8	x	x
31	48181	Pulley	x	x	78	04030-03 Lock Washer, 5/16"	x	x
32	04041-12	Flatwasher, 3/8 (.375 x 1.50 x .060)	x	x	79	481769 Roller Bearing, Caster Wheel	x	x
33	43077	Spacer	x	x	80	48100-01 Bushing, 7/8 x 1" Flanged	x	x
34	461091	Idler Arm (Incl. 37)	x	x	81	04001-37 Bolt, 1/2-13 x 5-1/2" Hex Head	x	x
35	04001-46	Bolt, 3/8-16 x 2-1/4"	x	x	82	04021-07 Nut, 1/2-13 Elastic Stop	x	x
36	45037	Idler Pivot	x	x	83	43022 Sleeve, Caster Wheel Bearing	x	x
37	48224	Bearing	x	x	84	45006 Caster Yoke	x	x
38	424367	Dust Shield	x	x	85	43037-01 Spacer, Caster Yoke 1/2"	x	x
39	04041-08	Flatwasher, 3/4 (.776 x 1.25 x .059)	x	x	86	46079 Caster Wheel and Support Assy.	x	x
	04041-08S	Flatwasher, 3/4 (.776 x 1.25 x .035)	x	x				
40	04050-02	Retaining Ring, .75 EXT 'E'	x	x				
41	43028	J-Rod Idler Pulley	x					
	44078	J-Rod Idler Pulley	x	x				
42	04001-175	Bolt, 5/16-18 x 1-1/2" Hex Head Gr 8	x	x				

ENGINE DECK



STHM2008ED

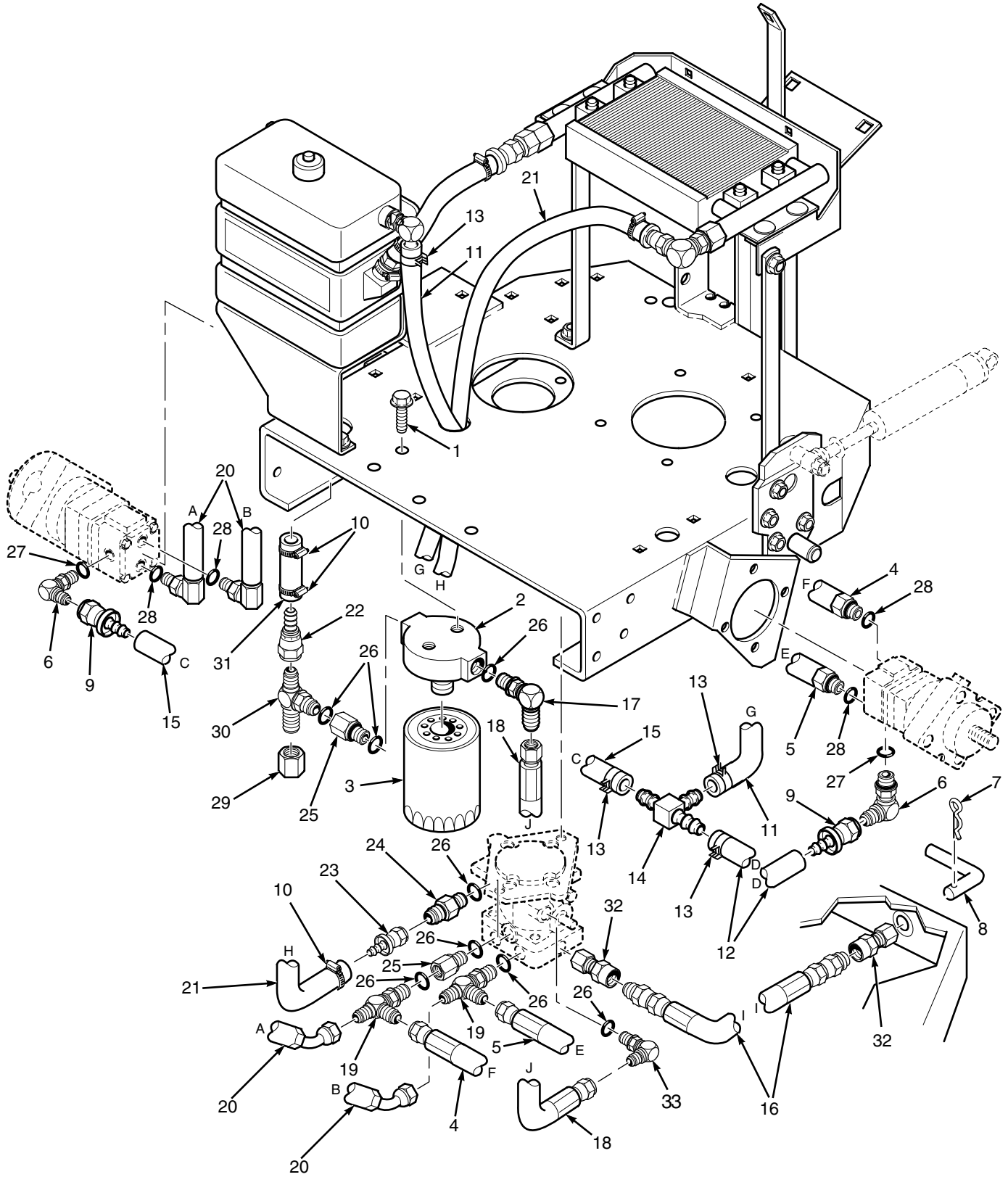
ENGINE DECK

Ref. Part No.	Part Number	Description	Ref. Part No.	Part Number	Description
1	04003-01	Carriage Bolt, 1/4-20 x 6"	54	04063-08	Key, 1/4 x 1/4 x 2"
2	423308	Battery Box	55	04012-04	Hex Socket Set Screw, 5/16-18 x 3/8"
3	04029-01	Nut, Wing 1/4-20	56	48792	Pulley, Engine Pump Drive (Incl. 55)
4	483665	Battery, 300 CCA (Not sold through Scag)	57	461397	Clutch, Electric (Ogura)
5	42392	Battery Cover	58	04041-28	Flatwasher, 7/16 (.469 x 1.75 x .25)
6	48099	Insulation, Battery Cover	59	04030-05	Lockwasher, 7/16"
7	48292	Pad, Fuel Tank Strap	60	04102-05	Bolt, Hex Head 7/16-20 x 2.75"
8	481556	Cap, Fuel Tank	61	04021-10	Hex Locknut, Elastic Stop 5/16-18
9	46846	Fuel Tank Assy. (Includes items 10 - 11)	62	422533	Backing Plate, Clutch Stop
10	48309	Bushing, Fuel Tank Valve	63	481716	Rubber Pad, Clutch Stop
11	48308	Fuel Shut Off Valve	64	481641	Heatshield, Muffler
12	421239	Strap, Fuel Tank	65	04001-12	Bolt, Hex Head 5/16-18 x 1-3/4"
13	04010-10	Phil RDHD Machine Screw 1/4-20 x 2"	66	04063-12	Key, Woodruff 3/16 x 5/8"
14	04020-02	Hex Nut, 1/4-20	67	48581	Pulley, Pump Input
15	48205	Pad, Fuel Tank Support	68	43117	Sleeve, Idler
16	04003-12	Carriage Bolt, 5/16-18 x 3/4"	69	04050-06	Ring, Retaining, 1-9/16 Internal
17	42377	Support, Fuel Tank	70	48854	Belt, Pump Drive
18	421522	Bracket, Fuel Tank Support	71	46370	Pulley, Idler-Traction Drive (Incl. 68,69,72)
19	04019-03	Serr. Fl. Hex Nut 5/16-18	72	48102	Bearing, Idler Pulley
20	04031-09	Lockwasher, 5/16 Int. Tooth	73	43063	Spacer, Idler
21	481776	Engine, 23 HP Kohler CV, (Spec PS-75523)	74	46327	Pump Idler Arm (Includes items 76, 79)
22	04001-12	Hex Head CPSCR, 5/16-18 x 1-3/4"	75	45037	Idler Pivot Base
23	482352	Oil Drain Extension	76	48100-05	Bushing, Oiltube
24	422534	Plate, Backing	77	04041-08S	Flatwasher, 3/4"
25	45586	Engine Deck	78	04050-02	Ring, Retaining, 3/4" Ext. "E"
26	48030-09	Wire Loom, .50 I.D.	79	48114-04	Grease Fitting
27	04040-14	Washer, 1/4 (.312 x .750 x .065)	80	04020-12	Hex Nut, Jam 3/8-16
28	04001-72	Bolt, Hex Head 1/2-13 x 2"	81	04001-62	Bolt, Hex Head 3/8-16 x 3-1/4"
29	43041	Sleeve, Shock Absorber Mount	82	48929	Spring, Pump Drive Idler
30	48516	Shock Absorber	83	04019-04	Serr. Fl. Hex Nut, 3/8-16
31	04021-07	Hex Locknut, Elastic Stop 1/2-13	84	04061-04	Cotter Pin, 5/32 x 1.50"
32	04017-42	Serr. Fl. Hex Head CPSCR, 7/16-14 x 1"	85	04001-47	Bolt, Hex Head 3/8-16 x 5"
33	04019-05	Serr. Fl. Hex Nut, 7/16-14	86	04015-03	Socket Head CPSCR, 1/2-13 x 1-1/4"
34	48769	Motor - White (Includes item 52)	87	04030-06	Lockwasher, 1/2"
35	04030-06	Lockwasher, 1/2"	88	04041-04	Flatwasher, 1/2 (.516 x .938 x .105)
35A	04020-07	Nut, 1/2-13	89	481100	Pump, Sundstrand
36	421289	Anchor, Brake	90	421520	Bracket, Oil Tank Support
37	04001-59	Bolt, Hex Head 1/4-20 x 1-1/4"	91	04001-21	Bolt, Hex Head 3/8-16 x 1-3/4"
38	04019-02	Serr. Fl. Hex Nut, 1/4-20	92	04041-10	Washer 2" OD, 3/8 ID, 16 Ga.
39	04017-16	Serr. Fl. Hex Head CPSCR, 5/16-18 x .75"	93	04003-02	Carriage Bolt, 1/4-20 x 3/4"
40	48461	Parking Brake Assembly (Incl. 41-44)	94	421523	Guard, Pulley
41	48461-02	Brake Pads- Pair	95	421521	Gusset, Battery Box
42	48461-03	Springs - Pair	96	421705	Support, Battery Box
43	48461-04	Actuating Arm, (Incl. Pin & Clip)	97	04003-04	Carrage Bolt, 5/16-18 x 1"
44	48461-05	Clip	98	48030-10	Wire Loom, .75" I.D.
45	46929	Hub Assembly (Includes item 50)	99	48661	Rubber Pad
46	48513	Brake Drum	100	483617	Fuel Hose, 1/4" ID Non-Perm.
47	48933	Rim and Tire Assembly (Includes items 48, 49)	101	48059-01	Clamp, Fuel Hose
48	48933-02	Tire 20 x 10 x 10, 4 Ply	102	04001-52	Bolt, 1/2-13 x 2.50"
49	48416-04	Rim Only	103	04021-08	Nut, 1/4-20 Elastic Stop
50	04008-03	Bolt, Hub			
51	04028-01	Wheel Nut			
52	48680	Castle Nut, 1.0-20 UNEF			
53	43261	Spacer, Clutch			

UPPER HYDRAULICS

Ref. No.	Part Number	Description
1	48711	Tank, Hydraulic
2	481164	Cap, Hydraulic Tank
3	48634	Hose, Pump to Oil Cooler
4	48942	Hose, Oil Cooler to Tank
5	48136-04	Clamp, Hose
6	48936-01	Coupling, Flare Swivel
7	48572-05	Tube, Union
8	48645	Oil Cooler Assembly
9	04003-12	Carriage Bolt, 5/16-18 x 3/4"
10	421279	Bracket, Oil Cooler
11	48350-05	Elbow, 90 Degrees
12	48603-02	O-Ring
13	48936-02	Coupling Flare Swivel
14	04019-03	Serr. Fl. Hex Head Nut, 5/16-18
15	421280	Brace, L.H. Cooler Support
16	421281	Brace, R.H. Cooler Support
17	04021-08	Elastic Stop Nut, 1/4-20
18	04017-05	Serr. Fl. Hex Head CPSCR, 1/4-20 x 3/4"
19	421288	Strap, Oil Tank
20	481507	Filler Neck Insert
21	48482	Hose, 1/4" Pushlock, Order by the inch
22	48059-01	Clamp
23	48309	Bushing
24	48939	90 Degree Elbow

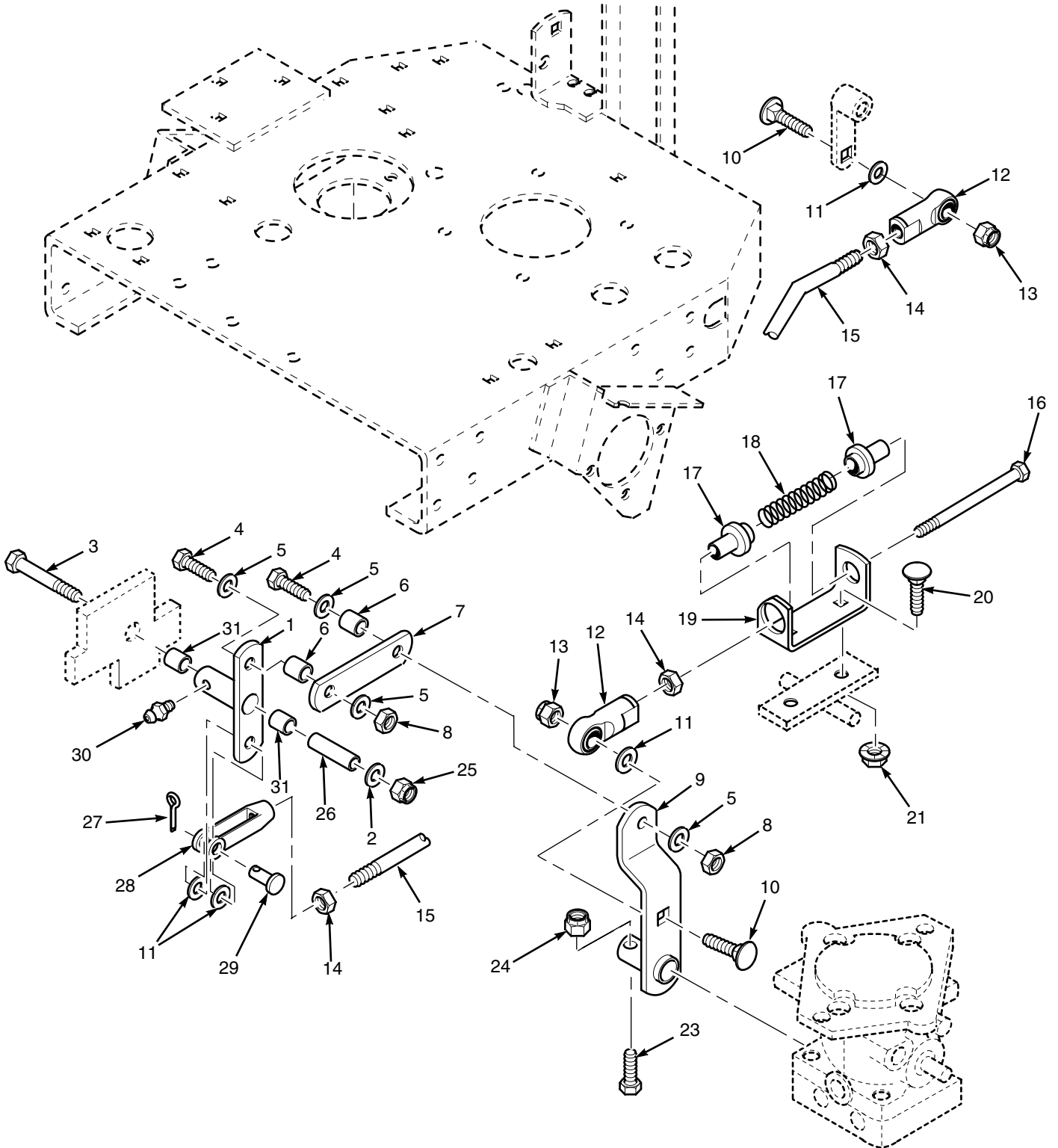
LOWER HYDRAULICS



LOWER HYDRAULICS

Ref. No.	Part Number	Description
1	04017-04	Capscrew, 1/4-20 x1/2 Serr. Fl. Hex Head
2	48462-02	Filter Head
3	48758	Filter, Spin-On Lube
4	48991	Hose Assembly
5	48688	Hose Assembly
6	48350-03	Elbow, 90 Degrees
7	04062-01	Hairpin Cotter
8	44088	Lever, Dump Valve
9	48353-02	Connector, Flare Swivel with Hose Barb
10	48136-04	Hose Clamp
11	48482	Hose, 1/4 Pushlock, Order by the inch
12	48482	Hose, 1/4 Pushlock, Order by the inch
13	48059-01	Hose Clamp
14	48935-01	Tee Union, Pushlock Hose
15	48482	Hose, 1/4 Pushlock, Order by the inch
16	48853	Hose, Dump Valve
17	48350-05	Elbow, 90 Deg.
18	48856	Inlet Hose, 3/4" ID
19	48937-01	Tee, 1/2" Run
20	48905	Motor Hose
21	48634	Hose, Pump To Oil Cooler
22	48936-01	Coupling, Flare Swivel
23	48936-02	Coupling, Flare Swivel With Barb
24	48572-06	Tube Union
25	48938-01	O-Ring Bushing
26	48603-02	O-Ring
27	48603-03	O-Ring
28	48603-04	O-Ring
29	48571-03	Cap
30	48810-02	Tee, JIC to O-Ring
31	48602	Hose, Order by the inch
32	48911-01	Compression Fitting
33	48350-12	Elbow, 90 Deg.

CONTROL LINKAGE

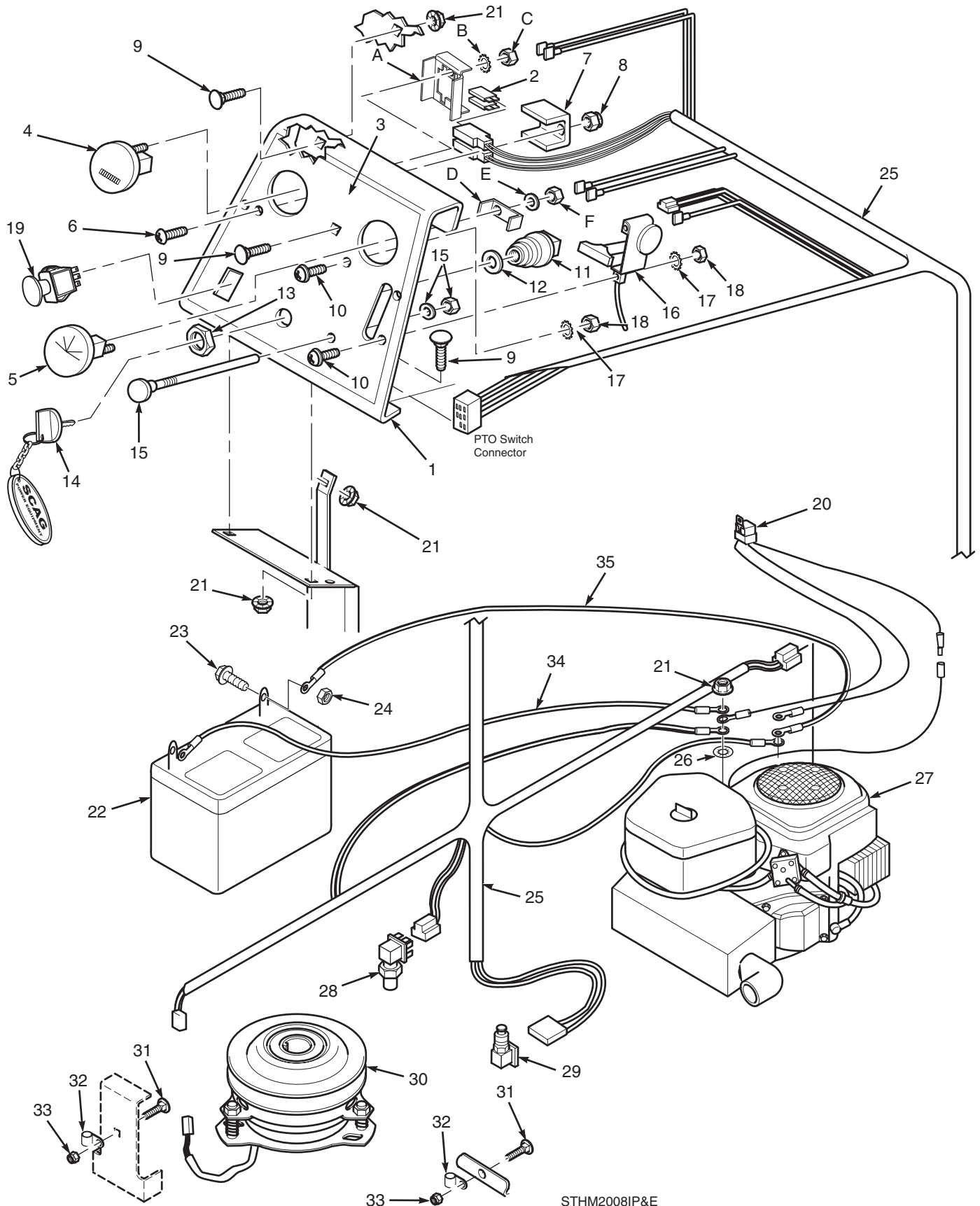


sgb011

CONTROL LINKAGE

Ref. No.	Part Number	Description
1	46328	Control Linkage, Bellcrank (Includes 30, 31)
2	04040-15	Flatwasher, 5/16 (.375 x .875 x .083)
3	04001-13	Bolt, Hex Head 5/16-18 x 2-3/4"
4	04001-19	Bolt, Hex Head 3/8-16 x 1"
5	04040-05	Flatwasher, 3/8 (.406 x .812 x .065)
6	43212	Sleeve, Pump Control Link
7	42658	Link, Speed Control
8	04021-05	Hex Locknut, 3/8-16
9	45485	Control Arm, Pump
10	04003-05	Carrage Bolt, RHSSN 3/8-16 x 1-1/2"
11	04041-07	Flatwasher, 3/8 (.391 x .938 x .105)
12	48464	Rod End, RH Female THD 3/8-24
13	04021-09	Hex Locknut, Elastic Stop 3/8-16
14	04020-14	Hex Nut, 3/8-24
15	44044	Control Rod
16	48512	Bolt Hex Head, 3/8-24 x 6-3/4"
17	43257	Bushing, Spring Keeper
18	48463	Spring, Neutral Return
19	421148	Retainer, Neutral Spring
20	04003-04	Carrage Bolt, 5/16-18 x 1"
21	04019-03	Serr. Fl. Hex Nut 5/16-18
22	**	Number Not Used
23	04001-59	Bolt, Hex Head 1/4-20 x 1-1/4"
24	04021-08	Hex Locknut, Elastic Stop 1/4-20
25	04021-10	Hex Locknut, Elastic Stop 5/16-18
26	43110	Sleeve, Control Arm
27	04061-02	Cotter Pin, 3/32 x .75"
28	48343-04	Clevis, Pump Control
29	04064-02	Pin, Clevis 3/8"
30	48114-05	Grease Fitting, 1/4-28 Self Tap
31	48100-04	Bushing, Bronze

INSTRUMENT PANEL AND ELECTRICAL COMPONENTS

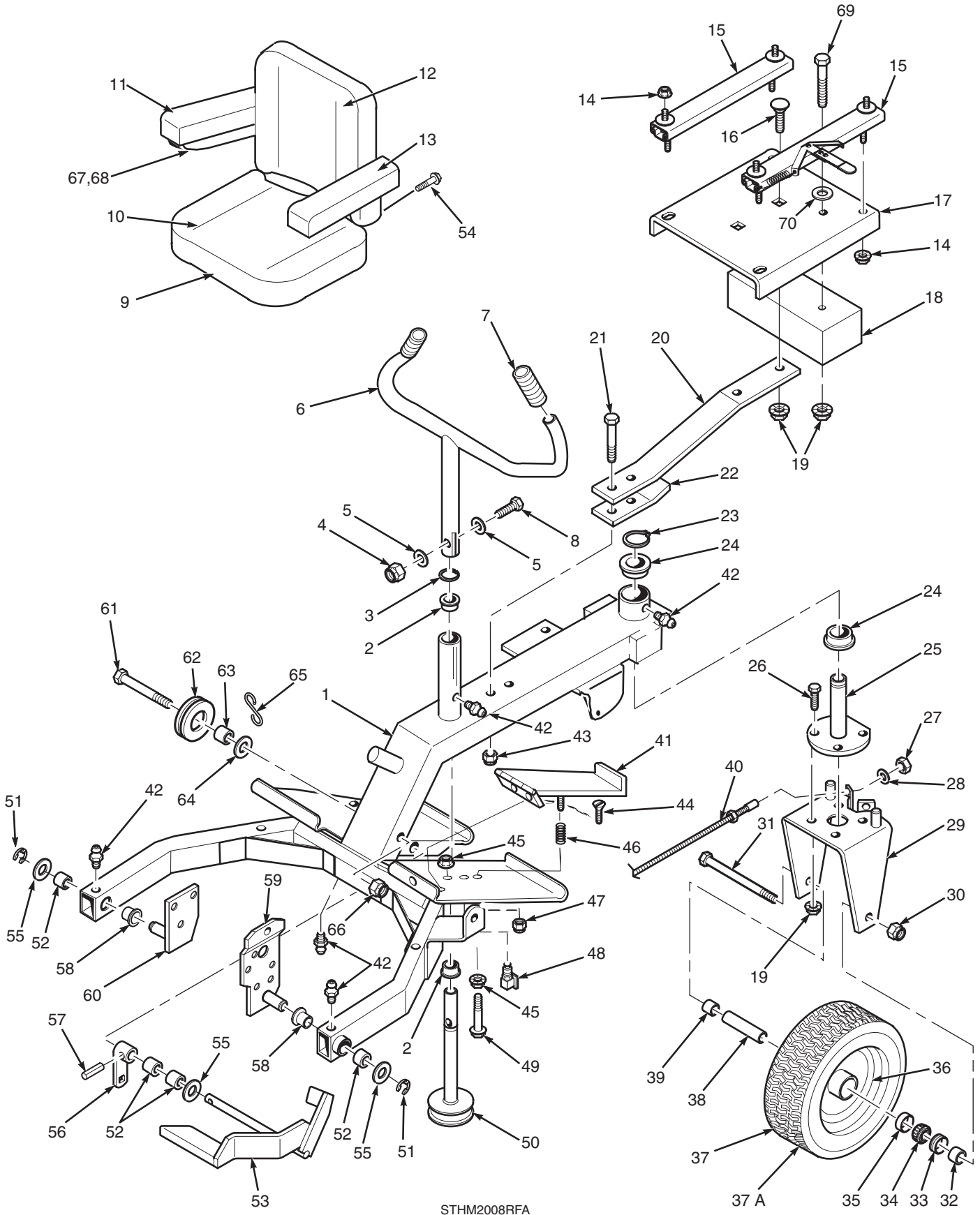


STHM2008IP&E

INSTRUMENT PANEL AND ELECTRICAL COMPONENTS

Ref. No.	Part Number	Description
1	461360	Instrument Panel (Includes Decal)
2	48298	Blade Fuse, 20 amp.
3	482289	Decal, Instrument Panel
4	48023	Hour Meter (Includes Bracket and Hardware A, B, C)
A	*	Hour Meter Bracket
B	*	Lockwasher, #10 Ext. Tooth
C	*	Hex Nut, 10-24
5	481755	Ammeter (Includes Bracket and Hardware D, E, F)
D	*	Ammeter Bracket
E	*	Lockwasher, #10 Int. Tooth
F	*	Hex Nut, #10-32
6	04010-11	Phillips Rd. Head Screw, #10-32 x 1-1/2"
7	42413	Bracket, Fuse Holder
8	04021-01	Elastic Stop Nut, #10-32
9	04003-12	Carriage Bolt, 5/16-18 x 3/4"
10	04010-01	Phillips Washer Head Screw, #10-32 x .50"
11	48798	Keyswitch
12	*	Lockwasher, 5/8 Int. Tooth
13	*	Nut, Special 5/8-32
14	462069	Key Chain with Keys
	483609	Key with Shroud
15	482315	Choke Control
16	48879	Throttle Control
17	04031-01	Lockwasher, #10 Ext. Tooth
18	04020-01	Hex Nut, #10-32
19	483162	Switch, PTO
20	481275	Wire Harness With Relay
21	04019-03	Serr. Fl. HH Nut, 5/16-18
22	483665	Battery, 300 CCA (Not sold through Scag)
23	04001-44	Bolt, Hex head 1/4-20 x 1/2"
24	04020-02	Hex Nut 1/4-20
25	481683	Wire Harness, STHM
26	04031-09	Lockwasher 5/16 Int. Tooth
27	481776	Engine, 23 HP Kohler CV(Spec PS-75523)
28	481474	Switch, Parking Brake
29	481476	Switch, Foot Safety
30	461397	Clutch, Electric
31	04003-12	Carriage Bolt, 5/16-18 x 3/4"
32	48030-09	Wireloom
33	04021-10	Locknut, Elastic Stop 5/16-18
34	48029-15	Battery Cable, 36" Black
35	48029-13	Battery Cable, 25" Red

RIDER FRAME ASSEMBLY

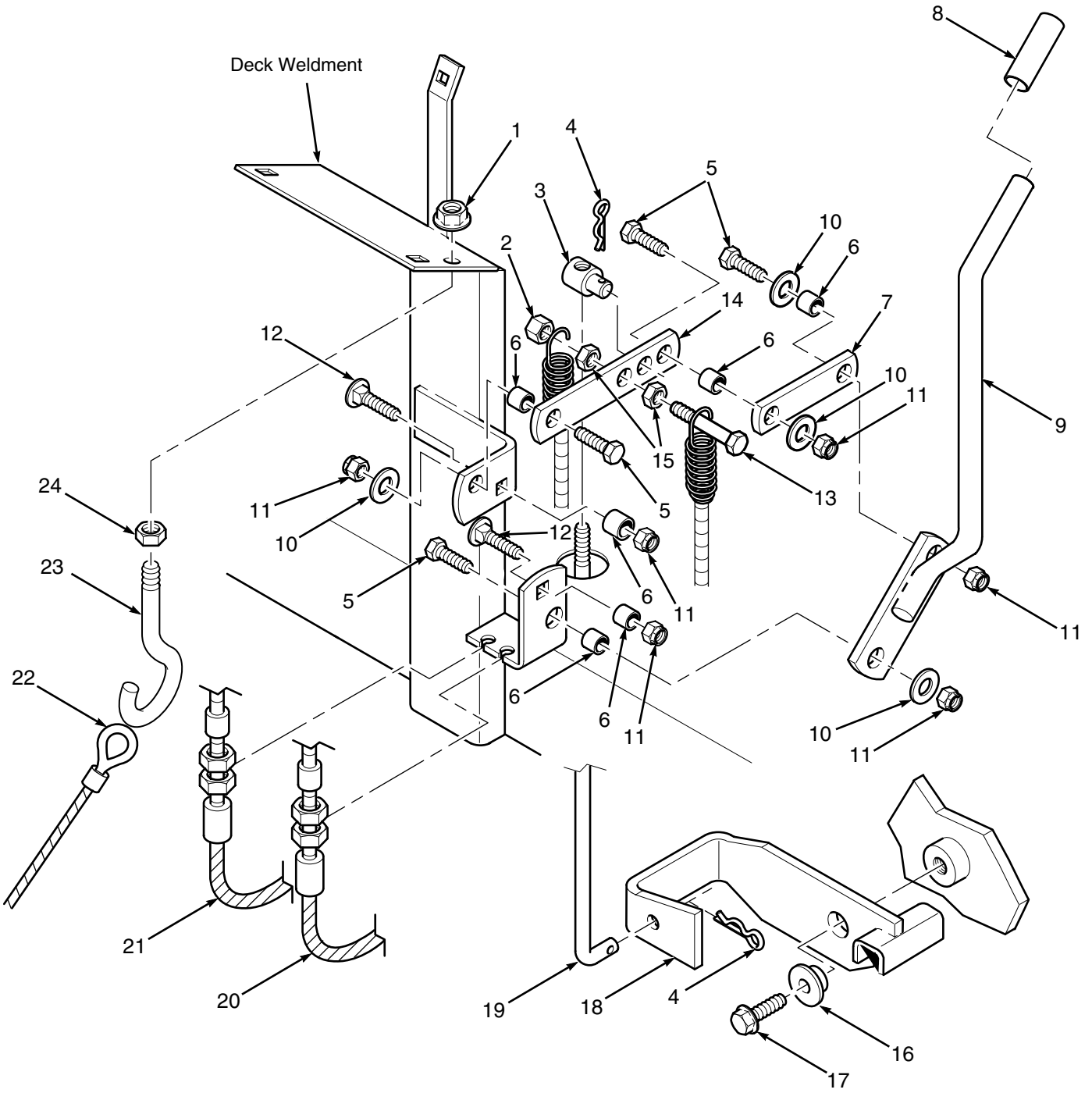


STHM2008RFA

RIDER FRAME ASSEMBLY

Ref. No.	Part Number	Description	Ref. No.	Part Number	Description
1	46715	Steering Frame (Includes Bshgs and Fittings)	36	481894	Rim Only
2	48100-01	Bronze Bushing, 7/8 ID x 1.0 Flanged	37	48005	Rear Wheel Assy. (Includes items 33-36, 37A)
3	04050-03	Retaining Ring, 7/8 external	37A	481893	Tire Only
4	04021-10	Hex Nut, Elastic Stop 5/16-18	38	43021	Sleeve, Rear Wheel
5	04040-15	Flat Washer, 5/16 (3/8 x 7/8 x 13 ga.)	39	43020-02	Spacer, Rear Wheel
6	46029	Steering Handle (Includes item 7)	40	48828	Cable, Steering (Includes Hardware)
7	48159	Grip	41	45606	Pedal, Foot Safety Switch
8	04001-12	Bolt, Hex Hd., 5/16-18 x 1-3/4"	42	48114-04	Grease Fitting
9	482119	Seat Assy. (Includes items 10 thru 13,54)	43	04021-11	Hex Elastic Stop Nut, 7/16-14
10	482111	Cushion Assembly	44	04010-17	Screw, Phillips flat hd #10-32 x 3/4"
11	482108	Arm Pad - R.H.	45	04019-02	Serr. Fl. Hex Nut, 1/4-20
12	482105	Seat Back Cushion	46	481056	Spring, Foot Safety Switch
13	482107	Arm Pad - L.H.	47	04021-08	Hex Nut, Elastic Stop Lock, 1/4-20
14	04019-03	Serr. Fl. HH. Nut, 5/16-18	48	481476	Switch, Foot Safety
15	46570	Seat Adjuster Track	49	04001-02	Bolt, Hex Hd., 1/4-20 x 1-3/4"
16	04003-05	Bolt, RDHD Carr. 3/8-16 x 1-1/2 (52" & 61")	50	45009	Steering Shaft
	04003-03	Bolt, RDHD Carr. 3/8-16 x 2.0" (72")	51	04050-02	Retaining Ring 3/4 Ext. "E"
17	424801	Seat Plate	52	48100-06	Bushing, Oilite - 3/4 ID x 1.0
18	424800	Ballast, Seat Mount	53	45502	Foot Pedal
19	04019-04	Serr Fl. Hex Nut, 3/8-16	54	04010-22	Screw w/washer, 1/4-20 x .75"
20	42026	Seat Spring	55	04041-08	Flat Washer, 3/4 x 1-1/4 x 16 Ga.
21	04001-83	Bolt, Hex Hd., 7-16-14 x 3-1/2"	56	45506	Foot Pedal Arm
22	42366	Reinforcement, Seat Spring	57	04065-01	Pin, Drive Lock 3/16 x 1-1/4"
23	04050-05	Retaining Ring, 1-1/8" external	58	48100-03	Bushing, Oilite - 3/4 x .50 Flanged
24	48100-02	Bushing, Oilite - 1-1/8 ID x 1.0 Flanged	59	45488	Sulky Mtg. Brkt. L.H.
25	45008	Rear Wheel Pivot	60	45256	Sulky Mtg. Brkt. R.H.
26	04001-32	Bolt, Hex Hd., 3/8-16 x 1-1/4"	61	04001-37	Bolt, Hex Hd., 1/2-13 x 5-1/2"
27	*	Hex Jam Nut, 3/8-24	62	48208	Pulley, Winch Cable
28	*	Lock Washer, 3/8 Internal Tooth	63	48100-04	Bushing, Oilite - 1/2 ID x .56
29	45035	Rear Wheel Yoke	64	04040-13	Flat Washer, 1/2" (.562 x 1.375 x .109)
30	04021-13	Hex Elastic Stop Nut, 5/8-11	65	44028	Retainer, Winch Cable
31	04001-40	Bolt, Hex Hd. 5/8-11 x 9"	66	04021-07	Hex Elastic Stop Nut, 1/2-13
32	43020-01	Spacer, Rear Wheel, short	67	482109	Arm Rest Bracket, LH
33	481897	Seal, Grease	68	482110	Arm Rest Bracket, RH
34	481896	Bearing Cone	69	04001-30	Bolt, Hex Hd., 3/8-16 x 4"
35	481895	Bearing Cup	70	04041-07	Flat Washer, 3/8" (.391 x .938 x .104)

BRAKE LINKAGE

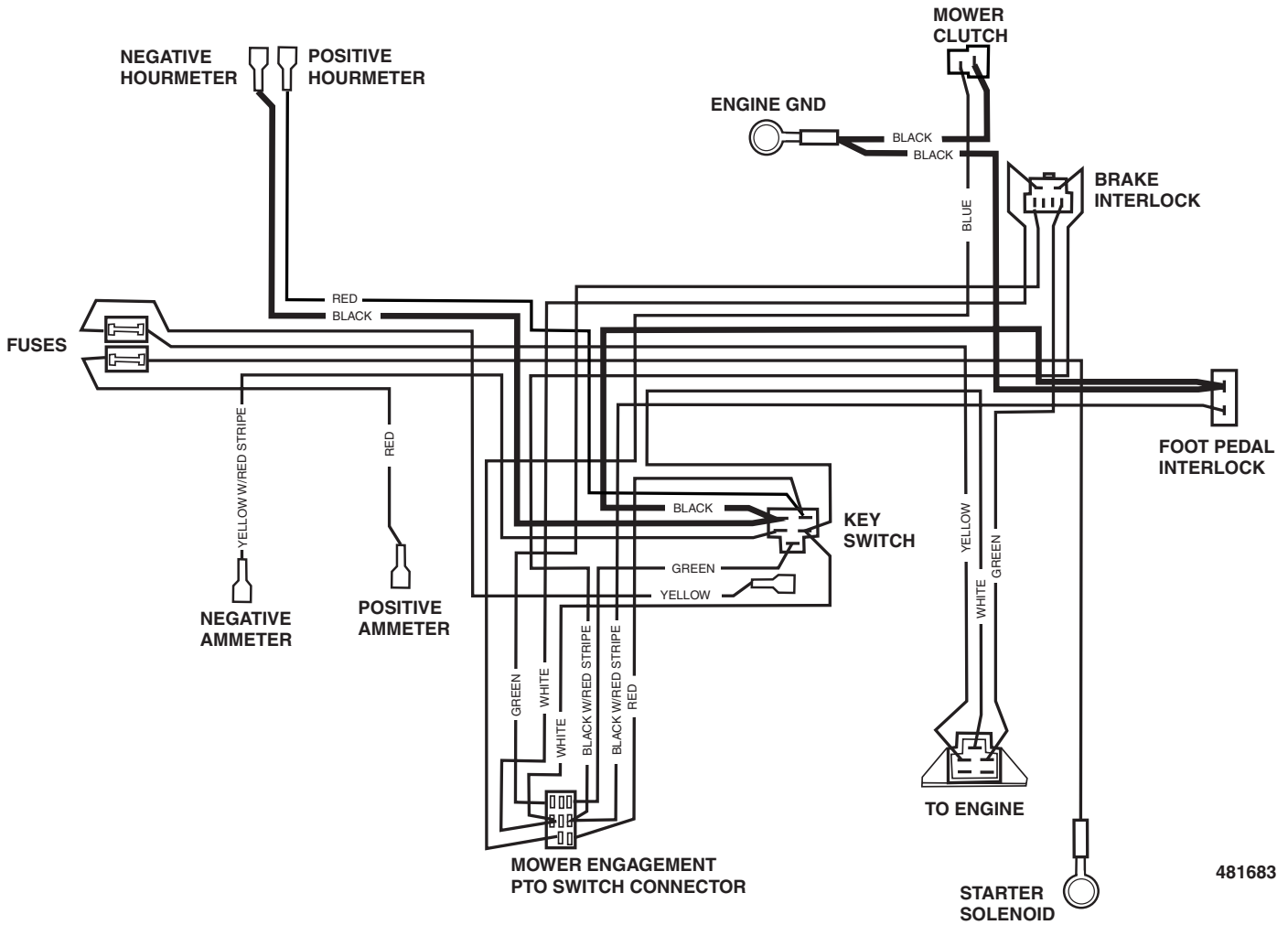


SGB050

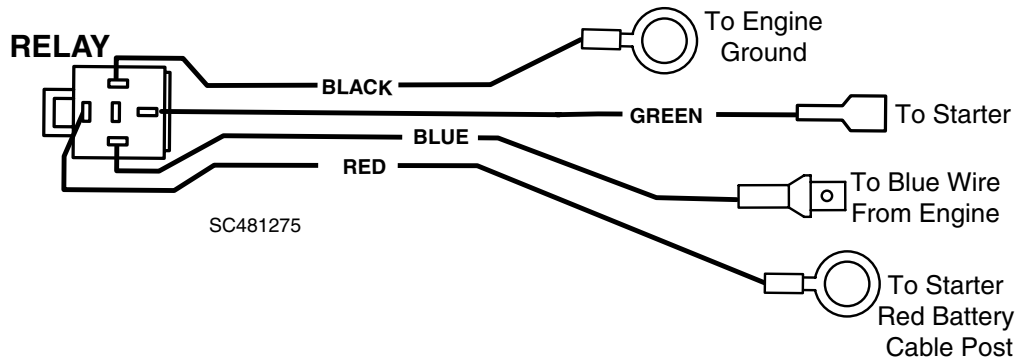
BRAKE LINKAGE

Ref. No.	Part Number	Description
1	04019-04	Serr. Fl. HH Nut, 3/8-16
2	04021-05	Hex Locknut, 3/8-16
3	43032	Swivel
4	04062-01	Hairpin Cotter (.094 x 1.62)
5	04001-32	Hex Head Bolt, 3/8-16 x 1-1/4"
6	43212	Sleeve, Hydro Linkage
7	421338	Link, Cam
8	48342	Grip, Parking Brake
9	45504	Handle, Parking Brake
10	04041-07	Flat Washer, 3/8 (.391 x .938 x .105)
11	04021-09	Hex Nut, Elastic Stop 3/8-16
12	04003-11	Carriage Bolt, 3/8-16 x 1-1/4"
13	04001-21	Hex Head Bolt, 3/8-16 x 1-3/4"
14	421339	Lever, Brake
15	04020-12	Hex Jam Nut, 3/8-16
16	43260	Washer, Neutral Lock
17	04017-27	Serr. Fl. HH CPSCR, 3/8-16 x 1"
18	45647	Bracket, Neutral Lock
19	44085	Rod, Neutral Lock
20	48881	Cable Assembly, Parking Brake RH
21	48880	Cable Assembly, Parking Brake LH
22	48045	Cable Winch
23	04070-03	Eye Bolt, 3/8-16 R.H.
24	04020-04	Hex Nut, 3/8-16

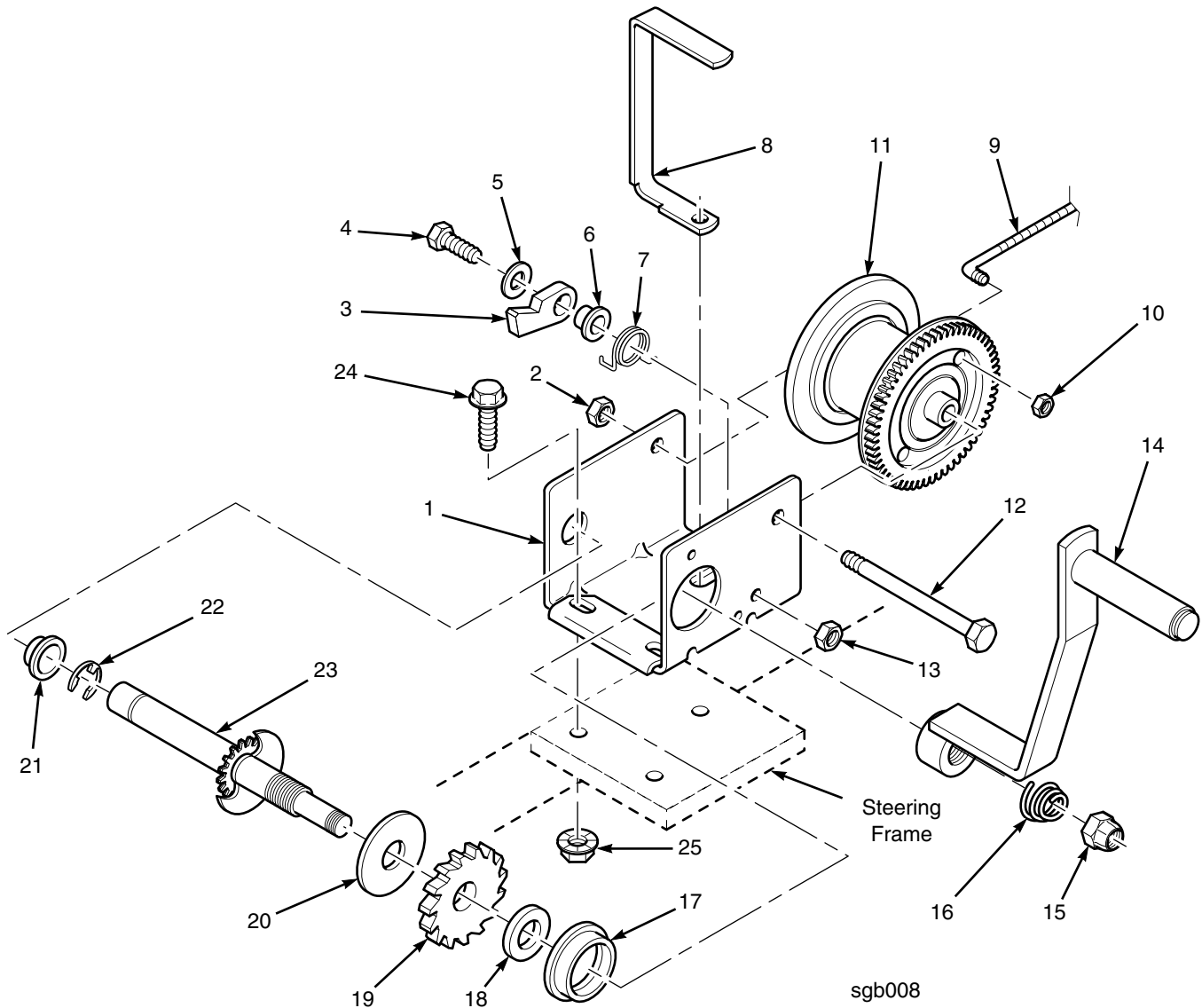
ELECTRICAL WIRING HARNESS 481683



WIRE HARNESS WITH RELAY PART NO. 481275



WINCH LIFT SYSTEM



Ref. Part No.	Part Number	Description	Ref. Part No.	Part Number	Description
1	48043	Winch Assembly (Incl. 1-7, 11-13, 15-23)	14	48044	Winch Handle
2	204803	Locknut, 7/16-14	15	205015	Handle Nut
3	404409	Ratchet Pawl	16	204364	Handle Spring
4	205167	Ratchet Bolt	17	208328	Shaft Bushing
5	205055	Flatwasher	18	404163	Pressure Washer
6	404166	Ratchet Spacer	19	404164	Ratchet Wheel
7	204363	Ratchet Spring	20	204362	Pressure Plate
8	42127	Cable Guide	21	204012	Shaft Bushing
9	48045	Winch Cable Assembly	22	205116	E-Ring
10	04021-03	Hex Locknut, 1/4-28	23	304758	Drive Shaft
11	304753	Winch Reel	24	04017-27	Serr. Flg. HH Capscrew, 3/8-16 x 1"
12	203161	Reel Shaft	25	04019-04	Serr. Flg. HH Nut, 3/8-16
13	204803	Hex Locknut, 3/8-16			

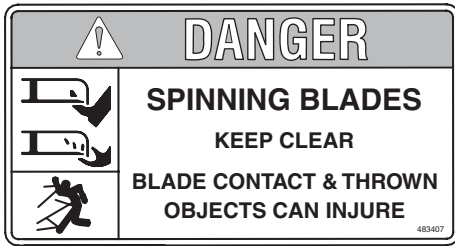
REPLACEMENT DECALS & INFORMATION



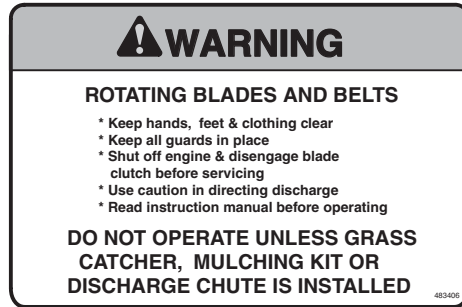
1



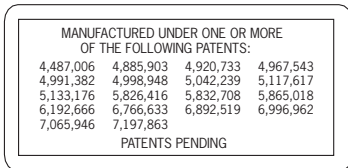
2, 2a, 2b



3



4



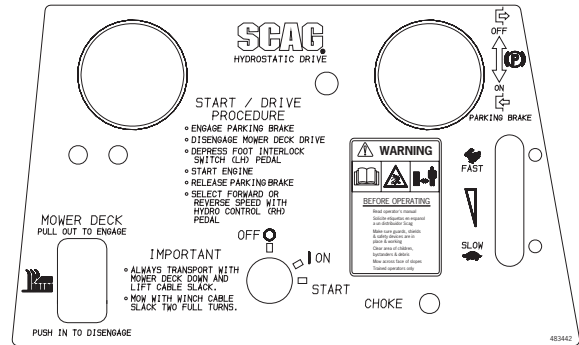
5



6



7



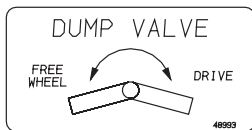
8



9

482817 CUTTING HEIGHT ADJUSTMENT						
-DECK MOUNTING HOLE POSITION						
-NUMBER OF CASTER SPACERS (BELOW SUPPORT)						
	NUMBER OF SPACERS ABOVE CUTTER BLADES					
	0	1	2	3	4	5
TOP	2	-	-	-	-	1-5/8
TOP	3	3-1/4	3	2-3/4	2-1/2	2-1/4
MIDDLE	4	-	3-3/4	3-1/2	3-1/4	3
BOTTOM	3	-	3-3/4	-	-	2-3/4
BOTTOM	3	-	4-1/8	3-7/8	-	-
BOTTOM	4	-	4-3/8	4-1/8	3-7/8	3-5/8
BOTTOM	4	-	4-3/8	4-1/8	3-7/8	3-3/8

13



10



11, 12

Ref. No.	Part Number	Description	Ref. No.	Part Number	Description
1	481971	Decal, Heavy Duty Commercial	7	481039	Decal, Warning-Belt Cover
2	48314	Decal, Scag Logo (Cutter Deck)	8	483442	Decal, Instrument Panel
2a	48968	Decal, Scag Logo (Battery Box Front)	9	483405	Decal, Warning-Discharge
2b	48825	Decal, Scag Logo Seat Back	10	48993	Decal, Dump Valve
3	483407	Decal, Danger-Spinning Blades	11	483201	Decal, 61 Velocity Plus
4	483406	Decal, Warning-Rotating Blades	12	481956	Decal, 72 Advantage
5	483044	Decal, Patent	13	482817	Decal, Height of Cut
6	48404	Decal, Metalcraft-Made In USA	**	461985	Spanish Decal Kit, STHM (Not Shown)