

GIANT-VAC[®]

**ASSEMBLY INSTRUCTIONS
OPERATOR'S MANUAL
PARTS LIST**

Leaf Blower Caddy



1 preliminaries

Congratulations!

You have just purchased one of the finest pieces of outdoor power equipment on the market today. If properly cared for, your new leaf blower caddy will provide years of dependable service. Please read and follow this instruction manual carefully in order to get the most out of your new equipment.

As you carefully unpack your unit, you will find the following items:

- 1 Leaf Blower Caddy - assembled
- 1 Rider Mounting Bar
- 1 Hardware Package
- 1 Package containing operating manuals and warranty registration

Each product leaves our factory in excellent condition; occasionally, however, some damage may occur during shipment. If any such damage is found upon initial inspection, immediately notify the transport carrier who delivered your machine, as they are solely responsible for such damage, as well as any subsequent adjustments necessary.

Be sure to promptly fill out and return the warranty registration enclosed in your manual packet.

Your new unit requires very little assembly. Simply follow the instructions contained within this manual to begin enjoying the benefits of your new unit.

CALIFORNIA PROPOSITION 65 WARNING

Gasoline and Diesel engine exhaust and some of its constituents are known to the State of California to cause cancer, birth defects and other reproductive harm.

As an owner of off-road gasoline or diesel engine equipment and/or as an employer, you also may have an obligation under the California Occupational Safety and Health Act or under Proposition 65 to warn persons exposed to gas and diesel engine exhaust and/or other Proposition 65 chemicals in and around your workplace. See California Health and Safety Code section 25249.5, Title 22 of the California Code of Regulations at Section 1200 et seq., and Title 8 of the California Code of Regulations Section 5194.

R1102.1

2 safety rules regarding outdoor power equipment



IMPORTANT! READ CAREFULLY THE FOLLOWING SAFETY RULES BEFORE ASSEMBLING OR OPERATING UNIT.

TRAINING

- o Read, understand, and follow all instructions in the manual and on the unit before starting. If the operator(s) or mechanic(s) can not read English it is the owner's responsibility to explain this material to them.
- o Become familiar with the safe operation of the equipment, operator controls, and safety signs.
- o All operators and mechanics should be trained. The owner is responsible for training the users.
- o Only allow responsible adults, who are familiar with the

instructions, to operate the unit.

- o Never let children or untrained people operate or service the equipment. Local regulations may restrict the age of the operator.

o The owner/user can prevent and is responsible for accidents or injuries occurring to themselves, other people or property.

PREPARATION

- o Evaluate the terrain to determine what accessories and attachments are needed to properly and safely perform the

job. Use only accessories and attachments approved by the manufacturer.

o Wear appropriate clothing including safety shoes, safety glasses and ear protection. Long hair, loose clothing or jewelry may get tangled in moving parts.

o Inspect the area where the equipment is to be used and remove all objects such as rocks, toys and wire, which can be thrown by the machine.

o Use extra care when handling gasoline and other fuels. They are flammable and vapors are explosive.

a) Use only an approved container.

b) Never remove fuel cap or add fuel with the engine running. Allow engine to cool before refueling. Do not smoke.

c) Never refuel or drain the machine indoors.

o Check that operator's presence controls, safety switches and shields are attached and functioning properly. Do not operate unless they are functioning properly.

OPERATION

o Never run an engine in an enclosed area.

o Operate only in the daylight or with good artificial light, keeping away from holes and hidden hazards.

o Be sure of your footing while using pedestrian controlled equipment, especially when backing up. Walk, don't run.

o Do not operate in reverse unless absolutely necessary. Always look down and behind before and while traveling in reverse.

o Be aware of the blower discharge direction and do not point it at anyone.

o Never leave a running unit unattended. Always stop engine before leaving unit.

o Never operate with guards not securely in place. Be sure all safety features are attached, adjusted properly and functioning properly.

o Do not change the engine governor setting or over speed the engine.

o Stop on level ground, shut off engine before leaving the operator's position for any reason.

o Stop equipment and inspect blades after striking objects or abnormal vibration occurs. Make necessary repairs before resuming operations.

o Keep hands and feet away intake and discharge areas.

o Keep pets and bystanders away.

o Do not operate the unit while under the influence of alcohol or drugs.

o Use caution when crossing roads and sidewalks. Stop engine if not blowing.

o Use care when loading or unloading the machine into a trailer or truck.

o Use care when approaching blind corners, shrubs, trees or other objects that may obscure vision.

SLOPE OPERATION

Slopes are a major factor related to loss-of-control and tip-over accidents, which can result in severe injury or death. All slopes require extra caution. If you cannot back up the slope, or if you feel uneasy on it, do not drive on it.

Do

o Mow and blow across the face of slopes; never up and down.

o Remove obstacles such as rocks, tree limbs, etc.

o Watch for holes, ruts, or bumps. Uneven terrain could overturn the unit. Tall grass can hide obstacles.

o Keep all movement on the slopes slow and gradual. Do not make sudden changes in speed or direction.

Do Not

o Do not start or stop on a slope. If tires lose traction, proceed slowly straight down the slope.

o Do not turn on slopes unless necessary, and then, turn slowly and gradually downhill, if possible.

o Do not use near drop-offs, ditches, or embankments. The operator could lose footing or balance or blower could suddenly turn over if a wheel is over the edge of a cliff or ditch, or if an edge caves in.

o Do not operate on slopes with wet grass. Reduced footing or traction could cause sliding.

o Do not use on excessively steep slopes.

CHILDREN

Tragic accidents can occur if the operator is not alert to the presence of children. Children are often attracted to the unit and its activity. Never assume that children will remain where you last saw them.

o Keep children out of the mowing area and under the watchful care of another responsible adult.

o Be alert and turn unit off if children enter the area.

o Before and during reverse operation, look behind and down for small children.

o Never allow children to operate the unit.

o Use extra care when approaching blind corners, shrubs, trees, or other objects that may obscure vision.

EMISSIONS

o Engine exhaust from this product contains chemicals known, in certain quantities, to cause cancer, birth defects, or other reproductive harm.

o Look for the relevant Emissions Durability Period and Air Index information on the engine emissions label.

MAINTENANCE AND STORAGE

o Always observe safe refueling and fuel handling practices when refueling the unit after transportation or storage.

o Always follow the engine manual instructions for storage preparations before storing the unit for both short and long term periods.

o Always follow the engine manual instructions for proper start-up procedures when returning the unit to service.

o Never store the machine or fuel container inside where there is an open flame, such as in a water heater. Allow unit to cool before storing.

o Shut off fuel while storing or transporting. Do not store fuel near flames or drain indoors.

o Keep all hardware tight and keep all parts in good working condition. Replace all worn or damaged decals.

2 *safety rules regarding outdoor power equipment*

- o Never tamper with safety devices. Check their proper operation regularly.
- o Clean leaves and debris from mufflers and engine to prevent fires. Clean up oil or fuel spillage.
- o Stop and inspect the equipment if you strike an object. Repair, if necessary, before restarting.
- o Never make adjustments or repairs with the engine running unless specified otherwise.
- o Park machine on level ground. Never allow untrained personnel to service machine.
- o Carefully release pressure from components with stored energy. (e.g. springs)
- o Only replace impellers. Never straighten or weld them.
- o Keep hands and feet away from moving parts.
- o Frequently check components and replace with manufacturer's recommended parts, when necessary.
- o Use only factory authorized replacement parts when making repairs.
- o Always comply with factory specifications on all settings and adjustments.
- o Only authorized service locations should be utilized for major service and repair requirements.
- o Never attempt to make major repairs on this unit unless you have been properly trained. Improper service procedures can result in hazardous operation, equipment damage and voiding of manufacturer's warranty.

3 *unit assembly*



Attach Mounting Bar to front of mower/rider by laying bar against front caster arms and slipping one U-bolt around top and bottom of each of the two front caster arm bosses and through corresponding holes in bar. Be sure bar is centered.

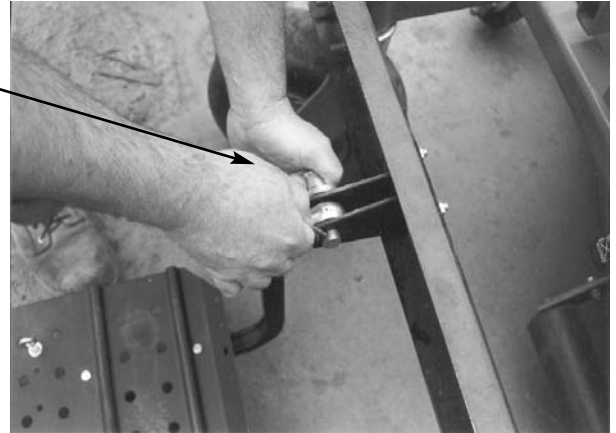


Secure each U-bolt to bar with one 3/8" flat washer, lock washer and nut on each of the eight threaded ends. Tighten all hardware securely.



Fit each of the two Spherical Rod Ends with one 3/4" jam nut and one lock washer. Thread each rod end into the threaded boss at the rear end of each Caddy Rail until threads are flush on the other side, then tighten securely, making sure hole in rod end is parallel with the horizontal plane.

Insert Spherical Rod End between one pair of Hitch Brackets, aligning hole in rod end with holes in brackets. Slip hitch pin through and secure with hair pin cotter. Repeat for other side.



Positioning blower onto caddy (centered on deck with rear wheels cradled between locator humps), locate the strap eyebolts in either of the 1/4" holes most directly in front of the rear wheels, and behind the front wheel. Install eyebolts by threading one 1/4-20 nut fully onto eyebolt thread, dropping bolt into hole, then securing with lockwasher and second nut. Tighten securely.



Slip one hook of wheel strap into eye of eyebolt, the other hook into hole in front or rear end of caddy deck most directly in front of or behind wheel. Pull strap tight to secure blower to caddy.

Assembly is complete. Refer to the operator's manual of your rider and your Giant-Vac leaf blower for safe and effective use of your new unit.

SOME IMPORTANT DO'S AND DON'TS FOR SAFE AND EFFECTIVE OPERATION:

DO_

...Inspect unit before each use to be sure all fasteners are securely tightened and all components are securely in place.

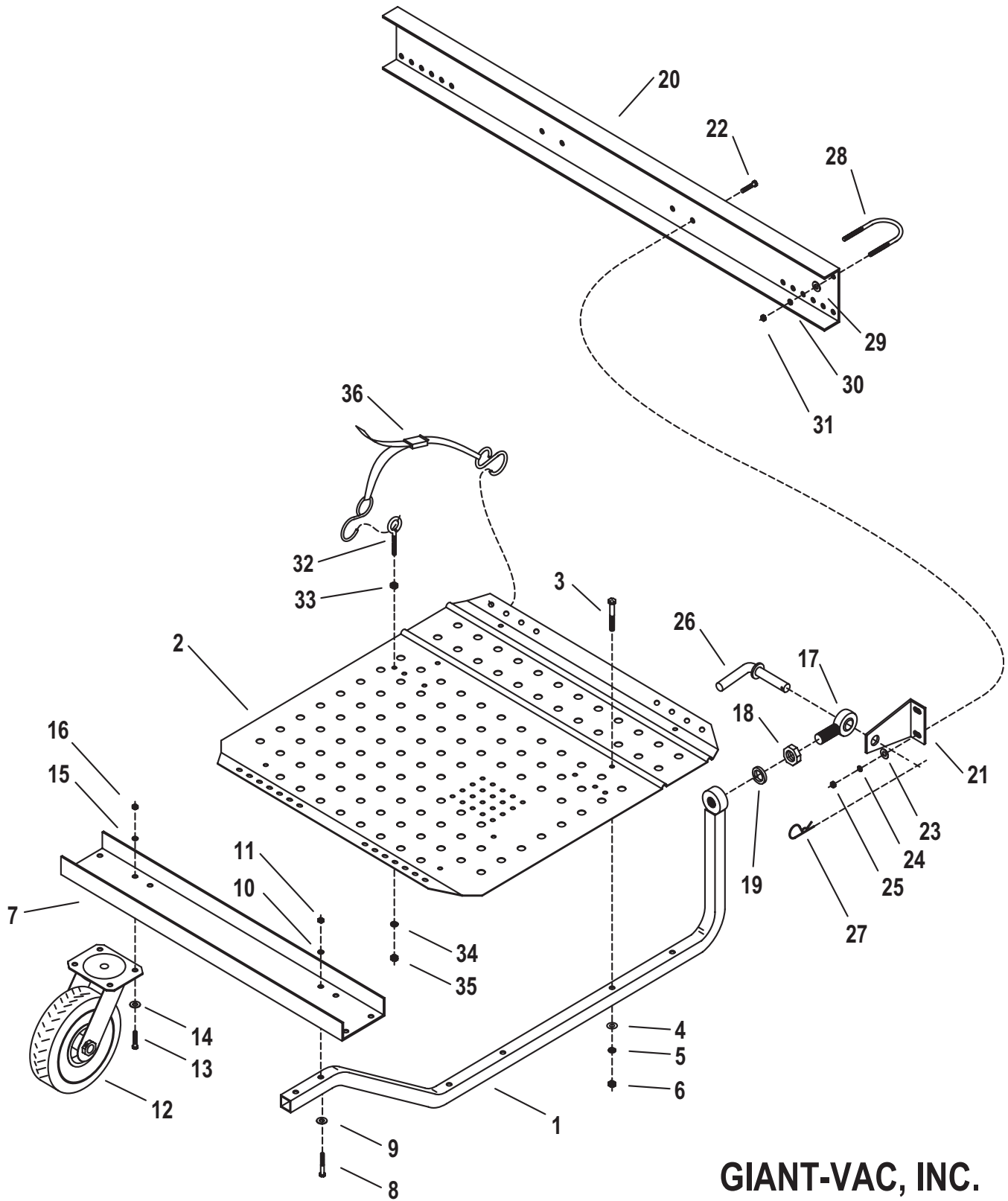
...Inspect unit often for wear and damage. Replace worn or damaged items promptly.

...Grease wheel and swivel bearings regularly with a quality lithium grease.

DO NOT_

...Operate the unit with a blower mounted on it without straps securely in place. Serious injury or damage may result.

4 unit breakdown & parts list



GIANT-VAC, INC.

PARTS LIST #5809

'BLOWER CADDY'

R1102.1

Parts List # 5809**Giant-Vac Leaf Blower Caddy**

REF #	PART #	QTY.	DESCRIPTION
1	10249	2	Rail, Frame Tube
2	10256	1	Deck, Caddy, Perforated
3	31292	8	Bolt, Hex Hd, 1/4-20x1.50
4	31317	8	Washer, Flat, 1/4
5	31013	8	Washer, Split Lock, 1/4
6	31030	8	Nut, Hex Finish, 1/4-20
7	27440	1	Bumper, Caster Mount
---	79174	2	Decal, GV Logo, 9in Wht on Blk
8	31002	4	Bolt, Hex Hd, 5/16-18x1-3/4
9	31027	4	Washer, Flat, 5/16
10	31003	4	Washer, Split Lock, 5/16
11	31004	4	Nut, Hex Finish, 5/16-18
12	33278	2	Caster Assy, 410/350-4 w/4-Hole Swivel Flange
13	31033	8	Bolt, Hex Hd, 3/8-16x1
14	31034	8	Washer, Flat, 3/8
15	31008	8	Washer, Split Lock, 3/8
16	31009	8	Nut, Hex Finish, 3/8-16
17	32028	2	Linkage, Spherical Rod End, 3/4
18	32033	2	Nut, Hex Jam, 3/4-16
19	32041	2	Washer, Split Lock, 3/4
20	38048	1	Bumper, Caddy Mount
21	27441	4	Bracket, Angle, Hitch Pin
22	31033	8	Bolt, Hex Hd, 3/8-16x1
23	31034	8	Washer, Flat, 3/8
24	31008	8	Washer, Split Lock, 3/8
25	31009	8	Nut, Hex Finish, 3/8-16
26	32005	2	Pin, Special, Hitch
27	31771	2	Pin, Hair Cotter
28	31909	4	U-Bolt, 2-1/4 dia throat x 3/8-16 thread
29	31034	8	Washer, Flat, 3/8
30	31008	8	Washer, Split Lock, 3/8
31	31009	8	Nut, Hex Finish, 3/8-16
32	32035	3	Bolt, Eye, Turned, 1/4-20x2 oal
33	31030	3	Nut, Hex Finish, 1/4-20
34	31013	3	Washer, Split Lock, 1/4
35	31030	3	Nut, Hex Finish, 1/4-20
36	32016	3	Strap, Wheel Tie Down

warranty

GIANT-VAC, INC., here-in-after called Giant-Vac, will warrant each new Giant-Vac product to be free from manufacturing defects in normal service for a period of two (2) years for consumer use, one (1) year for commercial use, or thirty (30) days for rental use. This warranty extends only to the original purchaser of the product and cannot be transferred. This warranty does not apply to engines, tires or other items that are purchased by Giant-Vac and warranted by the manufacturer of such items. Items such as bags, grass catchers, hoses and blades are not warranted, as these are considered expendable items. This warranty does not include equipment failures due to normal wear.

Any obligation under this warranty is expressly limited to the replacement or repair, at an authorized servicing Giant-Vac dealer, or at a point designated by us, of such parts as appear to us to have been defective. All defective parts have to be returned freight prepaid before credit will be issued.

We shall not be liable for transportation charges in connection with the replacement or repair of defective parts.

This warranty does not apply to a Giant-Vac upon which repairs or alterations have been made by others except with our prior written approval.

We shall not be liable for consequential damages or contingent liabilities for the fitness of any Giant-Vac for any particular purpose.

We make no other express, implied or statutory warranty, nor is anyone authorized to make any in our behalf.

GIANT-VAC[®]

P.O. BOX 195
SOUTH WINDHAM, CT. 06266
PHONE: 860-423-7741 " FAX: 860-423-2654